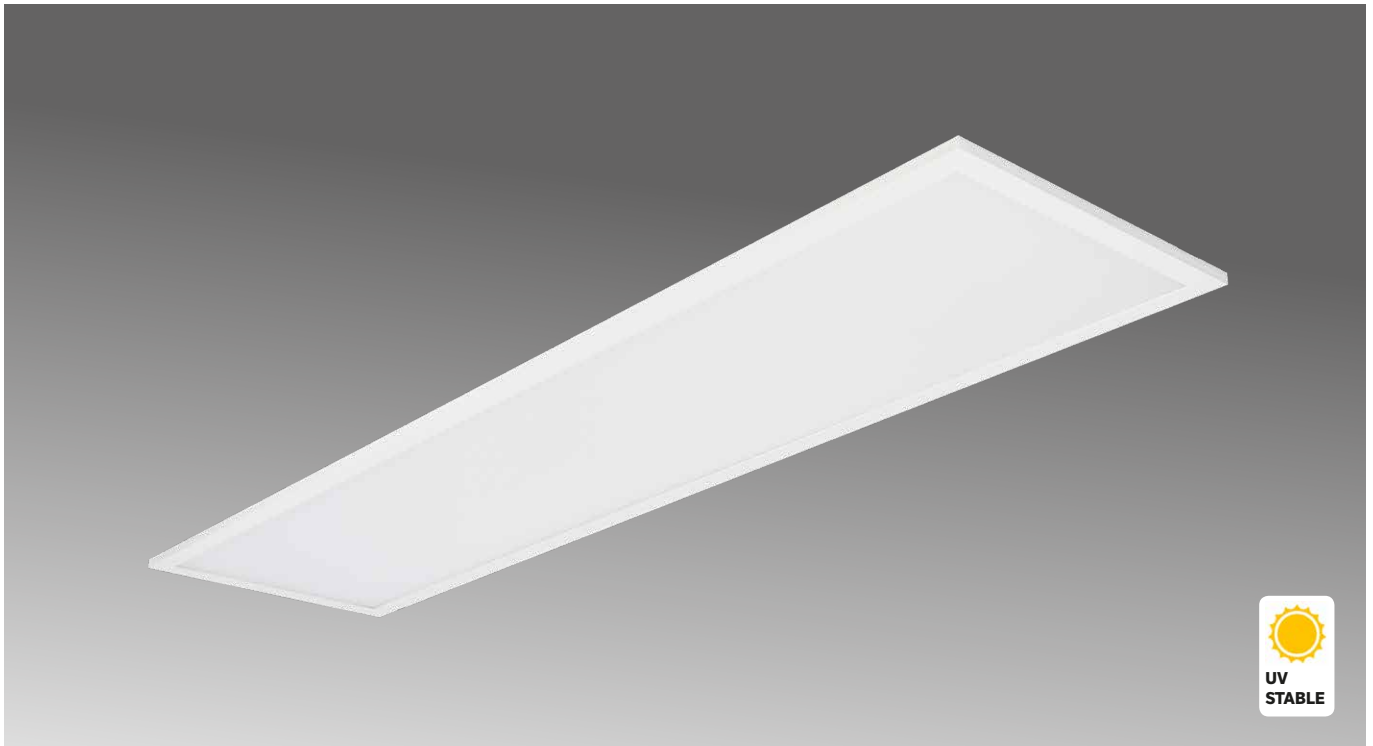


Micro-prismatic diffuser with anti glare internal optical film for optimum visual comfort.



SPECIFICATIONS

DIMENSIONS	L1195 x W295 x H10mm
COLOUR TEMP	4000K Natural White or 5000K Cool White
IP RATING	IP20
*UGR	Halcyon Slimline Pro series are suitable for installations requiring UGR of less than 19.
CRI	80
LIFESPAN	60,000 Hours TM-21 L70
BINNING	3-Step SDCM
BEAM ANGLE	90°
MATERIAL	Aluminum / PMMA UV Stable
FINISH	RAL9003 Powder Coated
DRIVER	Included, see options available. All Panels supplied pre-wired with three pin plug unless specified otherwise.
AMBIENT TEMP	-20.. +40° C
INSTALL CLEARANCE	50mm required (Important: do not cover with insulation or acoustic panels)
LUMINAIRE CLASS	II
WEIGHT	2800g
COMPLETE WITH	Optional Suspension / Seismic restraint mounts included. Pre wired with Driver and 3 pin plug
WARRANTY	5 Year Warranty
APPLICATION	Commercial suspended ceilings. Surface mount kits available for custom installs.

4230
LUMENS

40
WATTS

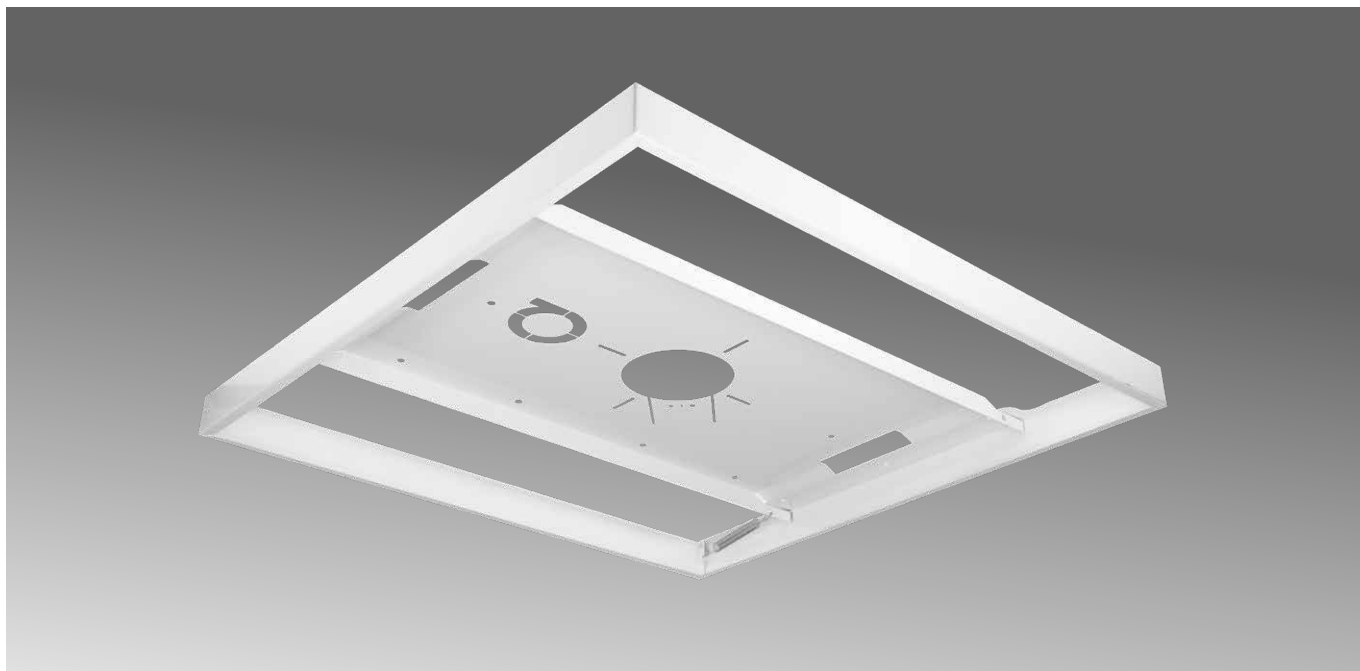
AC
240V

AVAILABLE IN

DESCRIPTION	CODE
White, 4000K, Standard Driver pre wired with 3 pin plug	R412 W4
White, 4000K, Primary Dimmable Driver (TRIAC) pre wired with 3 pin plug	R412 W4D
White, 4000K, Tridonic one4all Premium Dali Dimmable Driver pre wired with 3 pin plug	R412 W4DD
White, 5000K, Standard Driver pre wired with 3 pin plug	R412 W5

OPTIONS / ACCESSORIES

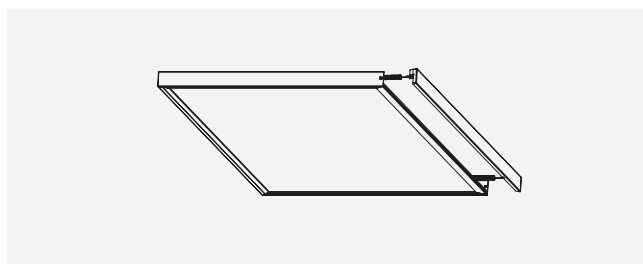
Surface mount kits, recessed kits and suspension kits available. See accessories page for further details. Custom dimming, control, colour temperatures and CRI options also available on indent order. MOQ's apply.



SURFACE MOUNT KITS

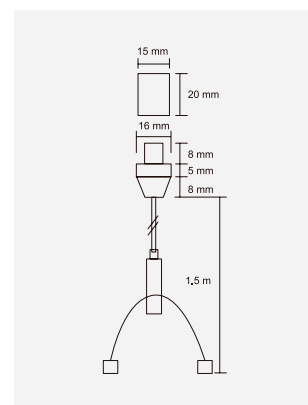
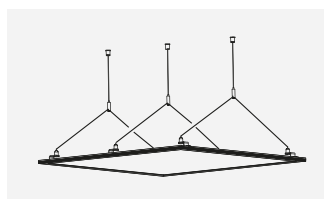
Simple spring loaded installation, laser crosshair for easy alignment, 5mm spacing for uneven surface applications. No visible hardware for a clean modern appearance.

DESCRIPTION	DIMENSIONS	CODE
6x6 Euro Surface Mount Kit	605 x 605 x 48mm	R410 SM
12x3 Euro Surface Mount Kit	303 x 1203 x 48mm	R412 SM
12x6 Euro Surface Mount Kit	603 x 1203 x 48mm	R415 SM



SUSPENSION MOUNT KITS

DESCRIPTION	DIMENSIONS	COLOUR	CODE
12x3 Suspension Mount Kit	1.5m max	Stainless Steel	R412 SS



RECESSED CEILING MOUNT FRAME

DESCRIPTION	DIMENSIONS	CODE
6x6 Euro Recessed Frame Kit	636 x 636 x 40mm	R410 RM
*12x3 Euro Recessed Frame Kit	336 x 1236 x 40mm	R412 RM
*12x6 Euro Recessed Frame Kit	636 x 1236 x 40mm	R415 RM

*12x3 and 12x6 recessed frame kits available indent only, MOQ's apply.

