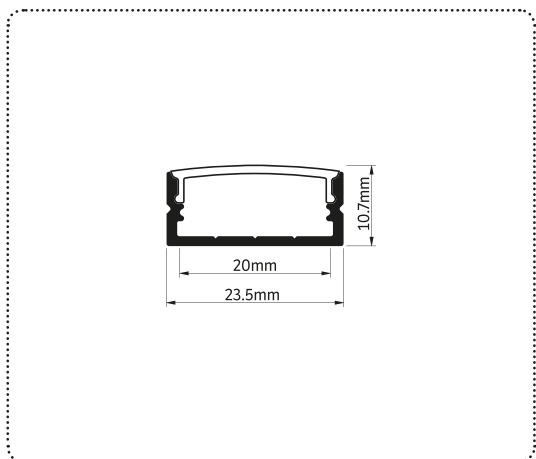
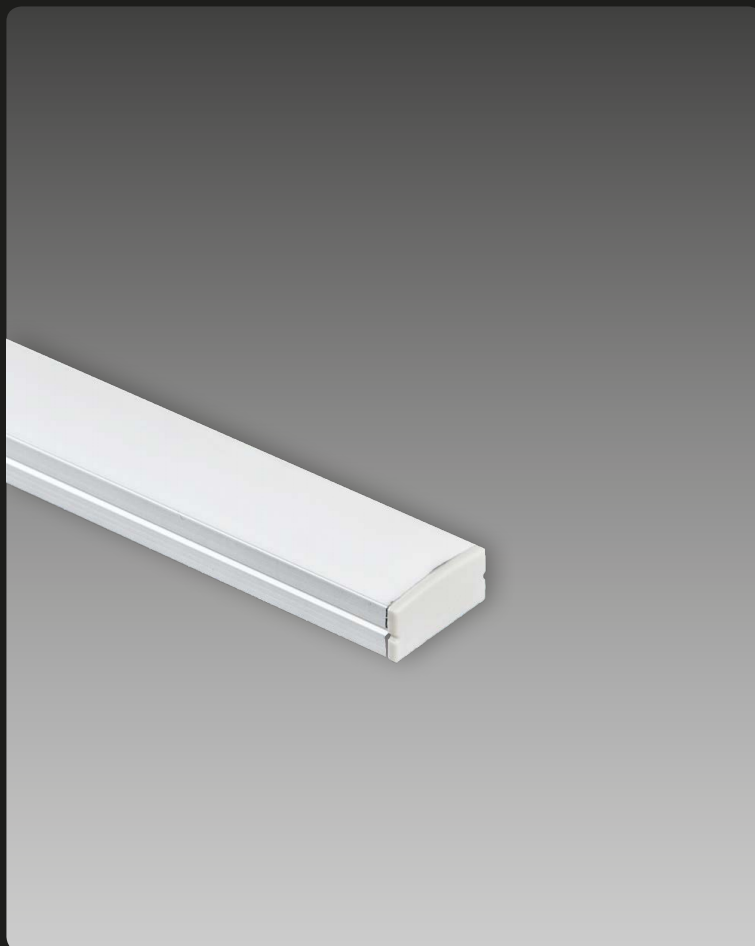
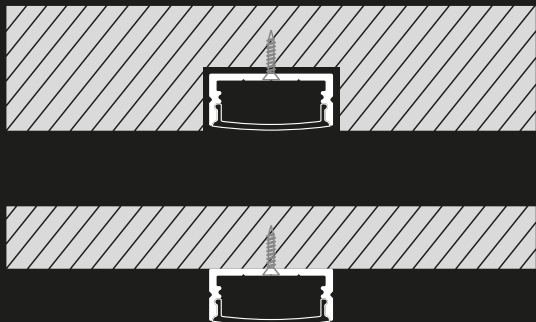


XS2411

Medium Standard Shallow Surface Mount / Recessed Aluminium Profile



XS2411 extrusion comes complete with Polycarbonate diffuser and plastic end caps.

PROFILE CODE

DESCRIPTION	CODE
Silver Medium Standard Shallow Surface Mount / Recessed with Opal diffuser custom length	XS2411 S

ACCESSORIES

DESCRIPTION	CODE
Silver End Cap Blank	XS2411 ECB
Silver End Cap Feed	XS2411 ECF