



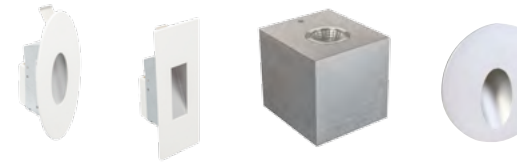
LED INTERIOR
2015 RANGE

LED INTERIOR CONTENTS

DISPLAY
3-9



WALL
10-18



SURFACE MOUNT
19-24



DOWNLIGHTS
25-44



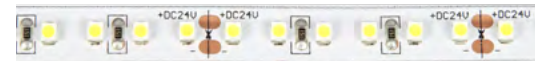
COMMERCIAL
45-56



TRACK
57-63



LINEAR & TAPE
64-75



CONTROL GEAR
76-81



DIMMERS & MODULES
82-87





LED INTERIOR
DISPLAY

R681 2W CV ROUND SHALLOW CABINET LED

Watts	Lumens	Voltage	CRI	Cut Out	Classification
2W	130	12V	82	58mm	IC

Diode: 12V AC/DC Constant Voltage
 Material: Aluminium WIRED IN PARALLEL
 Dimensions: D70 x H15mm MAX 6 PER DRIVER / TRANS
 Driver/Trans: Sold Separately
 Available in: R681 BCWL (Brushed Chrome in 3000K WW)
 R681 WWL (White in 3000K WW)
 R681 BWL/BNL (Black in 3000K WW or 4000K NW)
 R681 GWL/GNL (Gold in 3000K WW or 4000K NW)
 R681 SWL/SNL (Silver in 3000K WW or 4000K NW)

R681 3W CC ROUND SHALLOW CABINET LED

Watts	Lumens	mA	CRI	Cut Out	Classification
3W	195	350	82	58mm	IC

Diode: Cree I20° Constant Current
 Material: Aluminium WIRED IN SERIES
 Dimensions: D70 x H15mm MAX 6 PER DRIVER
 Driver: Sold Separately
 Available in: R681 BCWL3 (Brushed Chrome in 3000K WW)
 R681 WWL3/WNL3 (White 3000K WW or 4000K NW)
 R681 SWL3/SNL3 (Silver in 3000K WW or 4000K NW)

R682 2W CV SQUARE SHALLOW CABINET LED

Watts	Lumens	Voltage	CRI	Cut Out	Classification
2W	130	12V	82	58mm	IC

Diode: 12V AC/DC Constant Voltage
 Material: Aluminium WIRED IN PARALLEL
 Dimensions: L70 x W70 x H15mm MAX 6 PER DRIVER / TRANS
 Driver/Trans: Sold Separately
 Available in: R682 BCL (Brushed Chrome in 3000K WW)
 R682 SL (Silver in 3000K WW)
 R682 WWL (White in 3000K WW)

R682 3W CC SQUARE SHALLOW CABINET LED

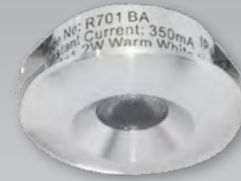
Watts	Lumens	mA	CRI	Cut Out	Classification
3W	195	350	82	58mm	IC

Diode: Cree I20° Constant Current
 Material: Aluminium WIRED IN SERIES
 Dimensions: L70 x W70 x H15mm MAX 6 PER DRIVER
 Driver: Sold Separately
 Available in: R682 BCWL3 / BCNL3 (Brushed Chrome in 3000K WW or 4000K NW)
 R682 SWL3 / SNL3 (Silver in 3000K WW or 4000K NW)
 R682 WWL3 / WNL3 (White 3000K WW or 4000K NW)

R700 SQUARE ULTRA SHALLOW CABINET LED

Watts	Lumens	mA	CRI	Cut Out	Classification
1.2W	95	350	80	32mm	IC

Diode: Osram 22° Constant Current
 Material: Aluminium
 Dimensions: L36 x W36 x H15mm
 Driver: Sold Separately
 Available in: R700 BA (Brushed Aluminium in 3000K WW)
 Accessories: Surface Mount Housing R700 SMBA

R701 ROUND ULTRA SHALLOW CABINET LED

Watts	Lumens	mA	CRI	Cut Out	Classification
1.2W	95	350	80	27mm	IC

Diode: Osram 22° Constant Current
 Material: Aluminium
 Dimensions: D36 x H15mm
 Driver: Sold Separately
 Available in: R701 BA (Brushed Aluminium in 3000K WW)
 R701 W (White in 3000K WW)

R710 ROUND CABINET LED

Watts	Lumens	mA	CRI	Cut Out	Classification
1.2W	93	350	80	37mm	IC

Diode: Osram 60° Constant Current (<50,000hrs)
 Material: Aluminium
 Dimensions: D42 x H22mm
 Driver: Sold Separately
 Available in: R710 WWL (White in 3000K WW)
 R710 BAWL/BANL (Brushed Aluminium in 3000K WW or 4000K WW)
 COLOURED DIODE AVAILABLE

R711 CHAMFER EDGE ROUND TILT CABINET LED

Watts	Lumens	mA	CRI	Cut Out	Classification
1.2W	93	350	80	44mm	IC

Diode: Osram 60° Constant Current (<50,000hrs)
 Material: Aluminium
 Dimensions: D52 x H22mm
 Driver: Sold Separately
 Available in: R711 WWL (White in 3000K WW)
 R711 BAWL/BANL (Brushed Aluminium in 3000K WW or 4000K WW)
 COLOURED DIODE AVAILABLE



R708 ROUND ULTRA SHALLOW CABINET LED



Watts	Lumens	mA	CRI	Cut Out	Classification
1.2W	93	350	80	35mm	IC

Diode: Osram 60° Constant Current (<50,000hrs)
 Material: Aluminium
 Dimensions: D42 x H12mm
 Driver: Sold Separately
 Available in: R708 BA (Brushed Aluminium in 3000K WW)
 R708 W (White in 3000K WW)
 COLOURED DIODE AVAILABLE

R712 / 713 STARLIGHT NARROW / WIDE BEAM LED



Watts	Lumens	mA	CRI	Cut Out	Classification
1.2W	70	350	80	15mm	IC

Diode: Osram 74° or 24° Constant Current (<50,000hrs)
 Material: Aluminium
 Dimensions: D33 x H29.5mm
 Driver: Sold Separately
 Available in: WIDE
 R712 SL (Silver in 3000K WW)
 R712 WL (White in 3000K WW)
 NARROW
 R713 SL (Silver in 3000K WW)
 R713 WL (White in 3000K WW)



R715 SQUARE TILT CABINET LED SINGLE / DOUBLE



Watts	Lumens	mA	CRI	Cut Out	Classification
1.2W	93	350	80	53mm	IC

Diode: Osram 60° Constant Current (<50,000hrs)
 Material: Aluminium
 Dimensions: L60 x W60 x H17mm
 Driver: Sold Separately
 Available in: SINGLE
 R715 BAWL/BANL (Brushed Aluminium in 3000K WW or 4000K NW)
 DOUBLE
 R716 BAWL/BANL (Brushed Aluminium in 3000K WW or 4000K NW)

R702**ROUND DISPLAY LED**

Watts	Lumens	mA	CRI	Cut Out	Classification
1.2W	85	350	80	36mm	IC

Diode: Osram 40° Constant Current (<50,000hrs)
 Material: Aluminium
 Dimensions: D42 x H50mm
 Driver: Sold Separately
 Available in: R702 SG (Silver in 3000K WW)

R703**SQUARE DISPLAY LED**

Watts	Lumens	mA	CRI	Cut Out	Classification
1.2W	85	350	80	36mm	IC

Diode: Osram 40° Constant Current (<50,000hrs)
 Material: Aluminium
 Dimensions: L42 x W42 x H50mm
 Driver: Sold Separately
 Available in: R703 SG (Silver in 3000K WW)

R781**ROUND DISPLAY LED**

Watts	Lumens	mA	CRI	Cut Out	Classification
3W	157	700	80	37mm	IC

Diode: Osram 35° Constant Current (<50,000hrs)
 Material: Aluminium
 Dimensions: D41 x H37mm
 Driver: Sold Separately
 Available in: R781 WW (White in 3000K WW)
 R781 BAW / BAN (Brushed Aluminium in 3000K WW or 4000K NW)

R782**ROUND DISPLAY 30° TILT/ROTATE LED**

Watts	Lumens	mA	CRI	Cut Out	Classification
3W	157	700	80	46mm	IC

Diode: Osram 35° Constant Current (<50,000hrs)
 Material: Aluminium
 Dimensions: D52 x H37mm
 Driver: Sold Separately
 Available in: R782 WW (White in 3000K WW)
 R782 BAW / BAN (Brushed Aluminium in 3000K WW or 4000K NW)

R744**ROUND DISPLAY CURVE LED**

Watts	Lumens	mA	CRI	Cut Out	Classification
4W	221	350	80	38mm	IC

Diode: Osram 35° Constant Current (<50,000hrs)
 Material: Aluminium / STS / Copper
 Dimensions: D50 x H30mm
 Driver: Sold Separately
 Available in: R744 WL (White in 3000K WW)
 R744 BAL (Brushed Aluminium in 3000K WW)
 R744 STSL (Stainless Aluminium in 3000K WW)
 R744 COL (Copper in 3000K WW)

815**ROUND SURFACE MOUNT**

Watts	Lumens	mA	CRI	Cut Out	Classification
1.2Wx3	188	350	80	NA	IC

Diode: Osram 22° Constant Current (<50,000hrs)
 Material: Aluminium
 Dimensions: D74 x H24mm
 Driver: Sold Separately
 Available in: 815 ICWWL (White in 3000K WW)
 815 ICBAWL (Brushed Aluminium in 3000K WW)
 815 ICSWL (Silver in 3000K WW)
 Surface Mt Sleeve removable for recess application

IP44**R783****SQUARE 30° TILT / ROTATE LED**

Watts	Lumens	mA	CRI	Cut Out	Classification
3W	157	700	80	54mm	IC

Diode: Osram 35° Constant Current (<50,000hrs)
 Material: Aluminium
 Dimensions: L60 x W60 x H30mm
 Driver: Sold Separately
 Available in: R783 WW (White in 3000K WW)
 R783 BAW / BA (Brushed Aluminium in 3000K WW or 4000K NW)

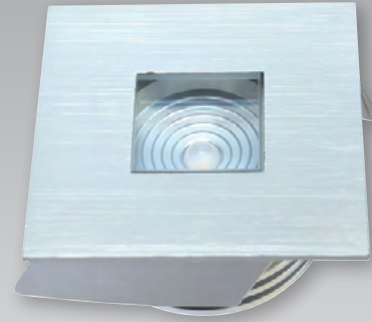
Doubles and Quads available



R721 WALKOVER DECK/FLOOR UPLIGHT LED

Watts	Lumens	mA	CRI	Cut Out	Classification
3W	136	700	80	56mm	IC-F

Diode: Osram 80° Constant Current (<50,000hrs) **IP65**
 Material: Aluminium
 Dimensions: D64 x H53mm
 Driver: Sold Separately
 Available in: R721 BA (Anodised Brushed Aluminium in 3000K WW)

R722 WALKOVER DECK/FLOOR UPLIGHT LED

Watts	Lumens	mA	CRI	Cut Out	Classification
3W	136	700	80	56mm	IC-F

Diode: Osram 80° Constant Current (<50,000hrs) **IP65**
 Material: Aluminium
 Dimensions: L64 x W64 x H53mm
 Driver: Sold Separately
 Available in: R722 BA (Anodised Brushed Aluminium in 3000K WW)





LED INTERIOR
WALL

R902

WALL / STAIR DARKLIGHT LED



Watts	Lumens	mA	CRI	Cut Out	Classification
3W	90	700	80	69 x 69mm	IC

Diode: Osram Constant Current (<50,000hrs)
 Material: Aluminium
 Dimensions: L80 x W80 x H30mm
 Driver: Sold Separately
 Available in: R902 WGL3 (White with Glass in 3000K WW)
 R902 SGL3 (Silver with Glass in 3000K WW)
 R902 SL3 (Silver without Glass in 3000K WW)

R906

WALL / STAIR DARKLIGHT LED



Watts	Lumens	mA	CRI	Cut Out	Classification
1.2W	85	350	80	77 x 77mm	IC

Diode: Osram Constant Current (<50,000hrs)
 Material: Aluminium
 Dimensions: L90 x W90 x H37mm
 Driver: Sold Separately
 Available in: R906 SL (Silver in 3000K WW)

R908 / IW

WALL / STAIR EYELID LED



Watts	Lumens	mA	CRI	Cut Out	Classification
1W	94	350	80	66mm	IC

Diode: Luxeon Constant Current (<50,000hrs)
 Material: Aluminium
 Dimensions: D75 x H30mm
 Driver: Sold Separately
 Available in: R908 SL (Anodised Silver without Glass in 3000K WW)

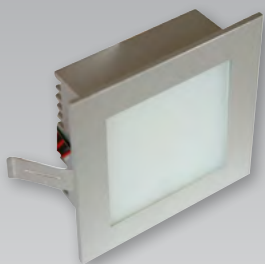
R908 / 3W

WALL / STAIR EYELID LED



Watts	Lumens	mA	CRI	Cut Out	Classification
3W	163	700	80	66mm	IC

Diode: Luxeon Constant Current (<50,000hrs)
 Material: Aluminium
 Dimensions: D75 x H30mm
 Driver: Sold Separately
 Available in: R908 SGL3 (Anodised Silver with Glass in 3000K WW)
 R908 SL3 (Anodised Silver without Glass in 3000K WW)

R909**SHALLOW WALL / STAIR LED**

Watts	Lumens	mA	CRI	Cut Out	Classification
1.2W	85	350	80	77 x 77mm	IC

Diode: Osram Constant Current (<50,000hrs)
 Material: Aluminium
 Dimensions: L90 x W90 x H35mm
 Driver: Sold Separately
 Available in: R909 SL (Silver in 3000K WW)
 R909 WL (White in 3000K WW)
 COLOURED DIODE AVAILABLE

R910**DEEP WALL / STAIR LED**

Watts	Lumens	mA	CRI	Cut Out	Classification
3W	157	700	80	77 x 77mm	IC

Diode: Osram Constant Current (<50,000hrs)
 Material: Aluminium
 Dimensions: L90 x W90 x H62mm
 Driver: Sold Separately
 Available in: R910 SW (Silver in 3000K WW)

R914**LOW GLARE WALL / STAIR EYELID LED**

Watts	Lumens	mA	CRI	Cut Out	Classification
1.2W	90	350	80	60mm	IC

Diode: Osram Constant Current (<50,000hrs)
 Material: Aluminium
 Dimensions: D80 x H35mm
 Driver: Sold Separately
 Available in: R914 SL (Silver in 3000K WW)
 R914 BAL (Brushed Aluminium in 3000K WW)
 R914 WL (White in 3000K WW)

R915**LOW GLARE WALL / STAIR EYELID LED**

Watts	Lumens	mA	CRI	Cut Out	Classification
1.2W	90	350	80	60mm	IC

Diode: Osram Constant Current (<50,000hrs)
 Material: Aluminium
 Dimensions: L80 x W80 x H35mm
 Driver: Sold Separately
 Available in: R915 SL (Silver in 3000K WW)
 R915 BAL (Brushed Aluminium in 3000K WW)
 R915 WL (White in 3000K WW)

R916

LOW GLARE WALL / STAIR



Watts	Lumens	mA	CRI	Cut Out	Classification
1.2W	90	350	80	60mm	IC

Diode: Osram Constant Current (<50,000hrs)
 Material: Aluminium & Stainless Steel
 Dimensions: L80 x H35mm
 Driver: Sold Separately
 Available in: R916 SSL (Brushed Stainless Steel in 3000K WW)

R917

LOW GLARE WALL / STAIR



Watts	Lumens	mA	CRI	Cut Out	Classification
1.2W	90	350	80	60mm	IC

Diode: Osram Constant Current (<50,000hrs)
 Material: Aluminium & Stainless Steel
 Dimensions: L80 x W80 x H35mm
 Driver: Sold Separately
 Available in: R917 SSL (Brushed Stainless Steel in 3000K WW)

R918

LOW GLARE WALL / STAIR LED



Watts	Lumens	mA	CRI	Cut Out	Classification
1.2W	91	350	80	33 x 108mm	IC

Diode: Osram Constant Current (<50,000hrs)
 Material: Aluminium
 Dimensions: L152 x W57 x H57mm
 Driver: Sold Separately
 Available in: R918 SL (Silver in 3000K WW)
 R918 WL (White in 3000K WW)

R919

LOW GLARE WALL / STAIR LED



Watts	Lumens	mA	CRI	Cut Out	Classification
1.2W	91	350	80	33 x 108mm	IC

Diode: Osram Constant Current (<50,000hrs)
 Material: Aluminium
 Dimensions: L152 x W57 x H57mm
 Driver: Sold Separately
 Available in: R919 SL (Silver in 3000K WW)
 R919 WL (White in 3000K WW)

R912

LOW GLARE WALL / STAIR LED



Watts	Lumens	mA	CRI	Cut Out	Classification
3W	132	700	80	62mm	IC

Diode: Cree Constant Current (<50,000hrs)
 Material: Aluminium
 Dimensions: D70 x H40mm
 Driver: Sold Separately
 Available in: R912 SL3 (Silver in 3000K WW)
 R912 WL3 (White in 3000K WW)
 NB: Suitable for Interior & Exterior use

IP65**R913**

LOW GLARE WALL / STAIR LED



Watts	Lumens	mA	CRI	Cut Out	Classification
3W	132	700	80	62mm	IC

Diode: Cree Constant Current (<50,000hrs)
 Material: Aluminium
 Dimensions: L70x W70 x H40mm
 Driver: Sold Separately
 Available in: R913 SL3 (Silver in 3000K WW)
 R913 WL3 (White in 3000K WW)
 NB: Suitable for Interior & Exterior use

IP65**U901**

LED CUBE UP/DOWN WALL MOUNT



Watts	Lumens	Voltage	CRI	Cut Out	Classification
2x4W	213	350mA	80	N/A	N/A

Diode: Sharp 38° Constant Current (<50,000hrs)
 Material: Aluminium
 Dimensions: 85 x 94 x H85mm
 Driver: Included
 Available in: U901 IBBAL (Br. Aluminium in 3000K WW)
 U901 IBWL (White in 3000K WW)
 U901 IBBL (Black in 3000K WW)
 U901 IBSL (Silver in 3000KWW)

U950 IBBA

WALL MT. RECT.UP/DOWN



Watts	Lumens	Voltage	CRI	Cut Out	Classification
6W	115	350mA		N/A	N/A

Diode: Edison Constant Current (<50,000hrs)
 Material: Aluminium
 Dimensions: L150 x 50 x H79mm
 Driver: Included
 Available in: U950 IBBA (Br. Alu in 3150K WW)
 U950 IBW (White in 3150K)

R777**TILT/ROTATE LED READING SPOT**

Watts	Lumens	mA	CRI	Cut Out	Classification
3W	136	700	80	106mm	IC

Diode: Osram 35° Constant Current (<50,000hrs)
 Material: Aluminium
 Dimensions: D112 x H55mm
 Driver: Incorporated
 Available in: R777 SL (Silver in 3000K WW)
 R777 WL (White in 3000K WW)

R776**TILT/ROTATE LED READING SPOT**

Watts	Lumens	mA	CRI	Cut Out	Classification
1.2W	157	350	80	73mm	IC

Diode: Osram 30° Constant Current (<50,000hrs)
 Material: Aluminium
 Dimensions: D85 x W85 x H59mm
 Driver: Incorporated
 Available in: R776 SL (Silver in 3150K WW)
 R776 WL (White in 3150K WW)

R775**TILT/ROTATE LED READING SPOT**

Watts	Lumens	mA	CRI	Cut Out	Classification
2.4W	180	700	80	68mm	IC

Diode: 30° Constant Current (<50,000hrs)
 Material: Aluminium
 Dimensions: D75 x H36mm
 Driver: Incorporated
 Available in: R775 SL (Silver in 3000K WW)
 R775 WL (White in 3000K WW)

EX789**TILT/ROTATE LED SPOT**

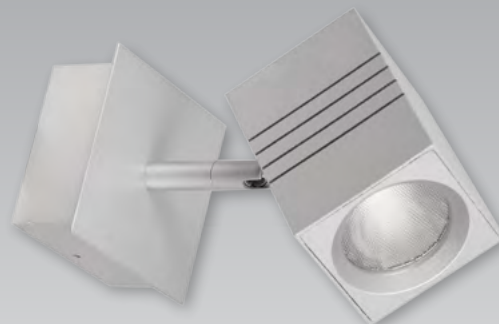
Watts	Lumens	mA	CRI	Cut Out	Classification
10W	860	350	80	Surface Mt	N/A

Diode: Bridgelux 40° Constant Current (<40,000hrs) **IP65**
 Material: Aluminium
 Dimensions: D64 x W103 x H175mm
 Driver: Incorporated in Base, Non Dimmable
 Available in: EX789 IBW (White in 3000K WW)
 EX789 IBCG (Charcoal in 3000K WW)
 EX789 IBBR (Brown in 3000K WW)
 EX789 IBBL (Black in 3000K WW)

S300 IB**SINGLE KNUCKLE SPOT ROUND**

Watts	Lumens	Voltage	CRI	Cut Out	Classification
10W	730	500mA	80	N/A	N/A

Diode: Sharp 70° Constant Current (<50,000hrs)
 Material: Aluminium
 Dimensions: Backplate - L88 x W88 x H40mm
 Spot - D65 x H100mm
 Driver: Incorporated in Base, Non Dimmable
 Available in: S300 IBWWL (White in 3000K)
 S300 IBSWL (Silver in 3000K)

S305 IB**SINGLE KNUCKLE SPOT SQUARE**

Watts	Lumens	Voltage	CRI	Cut Out	Classification
10W	730	500mA	80	N/A	N/A

Diode: Sharp 70° Constant Current (<50,000hrs)
 Material: Aluminium
 Dimensions: Backplate - L88 x W88 x H40mm
 Spot - L65 x W65 x H100mm
 Driver: Incorporated in Base, Non Dimmable
 Available in: S305 IBWWL (White in 3000K)
 S305 IBSWL (Silver in 3000K)

S300 IJ**SINGLE JACK SPOT ROUND**

Watts	Lumens	Voltage	CRI	Cut Out	Classification
10W	730	500mA	80	N/A	N/A

Diode: Sharp 70° Constant Current (<50,000hrs)
 Material: Aluminium
 Dimensions: Backplate - L88 x W88 x H40mm
 Spot - D65 x H100mm
 Driver: Incorporated in Base, Non Dimmable
 Available in: S300 IJSWL (Silver Round J.S 3000K)
 S300 IJWWL (White Round J.S 3000K)

S305 IJ**SINGLE JACK SPOT SQUARE**

Watts	Lumens	Voltage	CRI	Cut Out	Classification
10W	730	500mA	80	N/A	N/A

Diode: Sharp 70° Constant Current (<50,000hrs)
 Material: Aluminium
 Dimensions: Backplate - L88 x W88 x H40mm
 Spot - L65 x W65 x H100mm
 Driver: Incorporated in Base, Non Dimmable
 Available in: S305 IJSWL (Silver Square J.S 3000K)
 S305 IJWWL (White Square J.S 3000K)

S300 2J**DOUBLE JACK SPOT ROUND**

Watts	Lumens	Voltage	CRI	Cut Out	Classification
2x10W	2x730	500mA	80	N/A	N/A

Diode: Sharp 70° Constant Current (<50,000hrs)
 Material: Aluminium
 Dimensions: Backplate - L360 x W58 x H30mm
 Spots - D65 x H100mm
 Driver: Incorporated in Base, Dimmable
 Available in: S300 2JSWL (Silver Round J.S 3000K)
 S300 2JWWL (White Round J.S 3000K)

S305 2J**DOUBLE JACK SPOT SQUARE**

Watts	Lumens	Voltage	CRI	Cut Out	Classification
2x10W	2x730	500mA	80	N/A	N/A

Diode:: Sharp 70° Constant Current (<50,000hrs)
 Material: Aluminium
 Dimensions: Backplate - L360 x W58 x H30mm
 Spots - L65 x W65 x H100mm
 Driver: Incorporated in Base, Dimmable
 Available in: S305 2JSWL (Silver Square J.S 3000K)
 S305 2JWWL (White Square J.S 3000K)

S300 3J

TRIPLE JACK SPOT ROUND



Watts	Lumens	Voltage	CRI	Cut Out	Classification
3x10W	3x730	500mA	80	N/A	N/A

Diode: Sharp 70° Constant Current (<50,000hrs)
 Material: Aluminium
 Dimensions: Backplate - L560 x W58 x H30mm
 Spots - D65 x H100mm
 Driver: Incorporated in Base, Dimmable
 Available in: S300 3JSWL (Silver Round J.S 3000K)
 S300 3JWWL (White Round J.S 3000K)

S305 3J

TRIPLE JACK SPOT SQUARE



Watts	Lumens	Voltage	CRI	Cut Out	Classification
3x10W	3x730	500mA	80	N/A	N/A

Diode: Sharp 70° Constant Current (<50,000hrs)
 Material: Aluminium
 Dimensions: Backplate - L560 x W58 x H30mm
 Spots - L65 x W65 x H100mm
 Driver: Incorporated in Base, Dimmable
 Available in: S305 3JSWL (Silver Square J.S 3000K)
 S305 3JWWL (White Square J.S 3000K)

JACKSPOT ACCESSORIES

ADAPTERS AVAILABLE FOR CONVERTING JACK SPOTS FOR USE WITH SINGLE/THREE CIRCUIT TRACK.

SINGLE CIRCUIT ADAPTERS

T553 ITS10500	Track Adapter 10-19V 500mA 10W in Silver
T553 ITWI0500	Track Adapter 10-19V 500mA 10W in White

THREE CIRCUIT ADAPTERS

T463 ITS10500	Track adapter 10-19V 500mA 10W Silver
T463 ITWI0500	Track adapter 10-19V 500mA 10W White



LED INTERIOR
SURFACE MOUNT

LED300 SLIMLINE BUTTON CIRCLE STEP SMALL

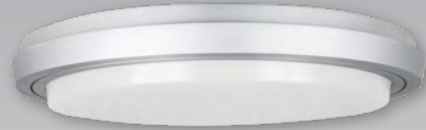


Ledeshi

Watts	Lumens	Voltage	CRI	Cut Out	Classification
18W	<1200	240V	87	N/A	N/A

Diode: Epistar I10° (<30,000hrs) **IP44**
 Material: Aluminium & Plastic
 Dimensions: 200 x H36mm
 Driver: Included, connect direct to mains
 Available in: LED300 ICSWL (Silver in 3000K WW)
 LED300 ICWWL (White in 3000K WW)
 LED300 ICWNL (White in 4000K NW)
 LED300 ICSNL (Silver in 4000K NW)

LED301 SLIMLINE BUTTON CIRCLE STEP MED



Ledeshi



Watts	Lumens	Voltage	CRI	Cut Out	Classification
29W	<1900	240V	83	N/A	N/A

Diode: Epistar I10° (<30,000hrs) **IP44**
 Material: Aluminium & Plastic
 Dimensions: 250 x H36mm
 Driver: Included, connect direct to mains.
 Available in: LED301 ICSWL (Silver in 3000K WW)
 LED301 ICSWDL (Silver, Dimmable in 3000K WW)
 LED301 ICWWL (White in 3000K WW)
 LED301 ICWDDL (White, Dimmable in 3000K WW)
 LED301 ICWNL (White in 4000K NW)
 LED301 ICSNL (White in 4000K NW)

LED302 SLIMLINE BUTTON CIRCLE STEP LARGE



Ledeshi



Watts	Lumens	Voltage	CRI	Cut Out	Classification
38W	<2700	240V	88	N/A	N/A

Diode: Epistar I09° (<30,000hrs) **IP44**
 Material: Aluminium & Plastic
 Dimensions: 300 x H40.5mm
 Driver: Included, connect direct to mains
 Available in: LED302 ICSWL (Silver, Dimmable in 3000K WW)
 LED302 ICSWDL (Silver in 3000K WW)
 LED302 ICWWL (White in 3000K WW)
 LED302 ICWDDL (White, Dimmable in 3000K WW)
 LED302 ICWNL (White in 4000K NW)

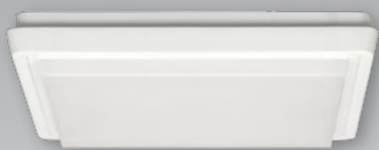
LED310 SLIMLINE BUTTON CIRCLE CONVEX



Ledeshi

Watts	Lumens	Voltage	CRI	Cut Out	Classification
38W	<2700	240V	83	N/A	N/A

Diode: Epistar I09° (<30,000hrs) **IP44**
 Material: Aluminium & Plastic
 Dimensions: 300 x H44mm
 Driver: Included, connect direct to mains
 Available in: LED310 ICWWL (White in 3000K WW)

LED304 SLIMLINE BUTTON SQUARE STEP MED
 **Ledeshi**
 **Dimmable
Option**

Watts	Lumens	Voltage	CRI	Cut Out	Classification
29W	<1900	240V	83	N/A	N/A

Diode: Epistar I08° (<30,000hrs)

Material: Aluminium & Plastic

Dimensions: L240 x W240 x H36mm

Driver: Included, connect direct to mains

Available in: LED304 ICSWL (Silver in 3000K WW)

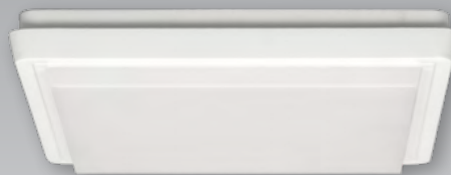
LED304 ICSWDL (Silver, Dimmable in 3000K WW)

LED304 ICSNL (Silver in 4000K NW)

LED304 ICWWL (White in 3000K WW)

LED304 ICWWDL (White, Dimmable in 3000K WW)

LED304 ICWNL (White in 4000K NW)

IP44**LED305** SLIMLINE BUTTON SQUARE STEP LARGE
 **Ledeshi**
 **Dimmable
Option**

Watts	Lumens	Voltage	CRI	Cut Out	Classification
38W	<2200	240V	83	N/A	N/A

Diode: Epistar I08° (<30,000hrs)

Material: Aluminium & Plastic

Dimensions: L340 x W340 x H36mm

Driver: Included, connect direct to mains

Available in: LED305 ICSWL (Silver in 3000K WW)

LED305 ICSWDL (Silver, Dimmable in 3000K WW)

LED305 ICSNL (Silver in 4000K NW)

LED305 ICWWL (White in 3000K WW)

LED305 ICWWDL (White, Dimmable in 3000K WW)

LED305 ICWNL (White in 4000K NW)

LED311 SLIMLINE BUTTON SLICE

Ledeshi



Watts	Lumens	Voltage	CRI	Cut Out	Classification
15W	1000	240V	83	N/A	N/A

Diode: Epistar 109° (<30,000hrs) **IP44**
 Material: Aluminium & Plastic
 Dimensions: D220 x H50mm
 Driver: Included, connect direct to mains
 Available in: LED311 ICSWDL (Silver, Dimmable in 3000K WW)
 LED311 I CWWDL (White, Dimmable in 3000K WW)

LED312 SLIMLINE BUTTON SLICE

Ledeshi



Watts	Lumens	Voltage	CRI	Cut Out	Classification
29W	1850	240V	83	N/A	N/A

Diode: Epistar 109° (<30,000hrs)
 Material: Aluminium & Plastic
 Dimensions: D270 x H43mm
 Driver: Included, connect direct to mains
 Available in: LED312 ICSWL (Silver in 3000K WW)
 LED312 ICSWDL (Silver, Dimmable in 3000K WW)
 LED312 ICWWL (White in 3000K WW)
 LED312 I CWWDL (White, Dimmable in 3000K WW)
 NOTE: LED312 IP20

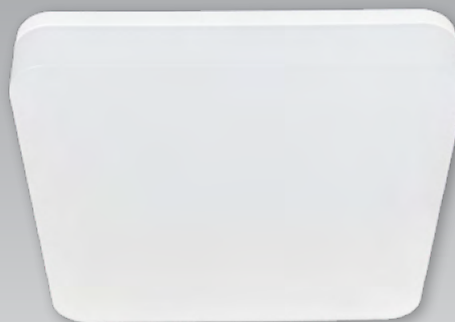
LED314 SLIMLINE BUTTON SLICE

Ledeshi



Watts	Lumens	Voltage	CRI	Cut Out	Classification
15W	1000	240V	83	N/A	N/A

Diode: Epistar 109° (<30,000hrs) **IP44**
 Material: Aluminium & Plastic
 Dimensions: L210 x W210 x H50mm
 Driver: Included, connect direct to mains
 Available in: LED314 ICSWDL (Silver, Dimmable in 3000K WW)
 LED314 ICWWDL (White, Dimmable in 3000K WW)

LED315 SLIMLINE BUTTON SLICE

Ledeshi



Watts	Lumens	Voltage	CRI	Cut Out	Classification
29W	1850	240V	83	N/A	N/A

Diode: Epistar 109° (<30,000hrs)
 Material: Aluminium & Plastic
 Dimensions: L260 x W260 x H43mm
 Driver: Included, connect direct to mains
 Available in: LED315 ICSWL (Silver in 3000K WW)
 LED315 ICSWDL (Silver, Dimmable in 3000K WW)
 LED315 ICWWL (White in 3000K WW)
 LED315 I CWWDL (White, Dimmable in 3000K WW)
 NOTE: LED315 IP20

LED303 LED DECORATIVE SURFACE MOUNT



Watts	Lumens	Voltage	CRI	Cut Out	Classification
17W	1000	240V	80	N/A	N/A

Diode: Epistar I04° (<30,000hrs)
 Material: Aluminium & Plastic
 Dimensions: 150 x H72mm
 Driver: Included can be connected direct to mains
 Available in: LED303 ICWWL(White in 3000K WW)
 Not double insulated.

LED360 LED DECORATIVE SURFACE MOUNT



Watts	Lumens	Voltage	CRI	Cut Out	Classification
13W	1000	240V	80	N/A	N/A

Diode: Sharp COB 45° (<30,000hrs)
 Material: Aluminium
 Dimensions: 130 x H137mm
 Driver: Included 350mA
 Available in: LED360 ICWW (White in 3000K WW)
 LED360 ICWN (White in 4000K NW)
 LED360 ICSN (Silver in 4000K NW)

LED361 LED FEATURE SURFACE MOUNT



Watts	Lumens	Voltage	CRI	Cut Out	Classification
18W	1500	240V	80	N/A	N/A

Diode: Sharp COB 35° (<30,000hrs)
 Material: Aluminium
 Dimensions: 160 x H175mm
 Driver: Included 500mA
 Available in: LED361 ICWW (White in 3000K WW)
 LED361 ICWN (White in 4000K NW)
 LED361 ICSN (Silver in 4000K NW)

LED362 LED FEATURE SURFACE MOUNT



Watts	Lumens	Voltage	CRI	Cut Out	Classification
22.5W	1800	240V	80	N/A	N/A

Diode: Sharp COB 35° (<30,000hrs)
 Material: Aluminium
 Dimensions: 180 x H182mm
 Driver: Included 650mA
 Available in: LED3612ICWW (White in 3000K WW)
 LED362 ICWN (White in 4000K NW)
 LED362 ICSN (Silver in 4000K NW)

LED354**LED SURFACE MT BUTTON**

Watts	Lumens	Voltage	CRI
16W	<1050	240V	80

IP54

Diode: Edison 120° (Replaceable)
 Material: ABS Plastic
 Lifespan: <35,000hrs, Suitable for 24 hour use.
 Dimensions: D275 x H82mm
 Driver: Incorporated (Replaceable)
 Available in: LED354 ICWW (White in 3000K WW)
 LED354 ICNW (White in 4000K NW)

LED355**LED SURFACE MT BUTTON**

Watts	Lumens	Voltage	CRI
22W	<1500	240V	80

IP54

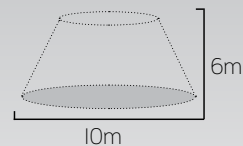
Diode: Edison 120° (Replaceable)
 Material: ABS Plastic
 Lifespan: <35,000hrs, Suitable for 24 hour use.
 Dimensions: D355 x H118mm
 Driver: Incorporated (Replaceable)
 Available in: LED355 ICWW (White in 3000K WW)
 LED355 ICNW (White in 4000K NW)

LED356**LED SURFACE MT BUTTON**

Watts	Lumens	Voltage	CRI
40W	<2700	240V	80

IP54

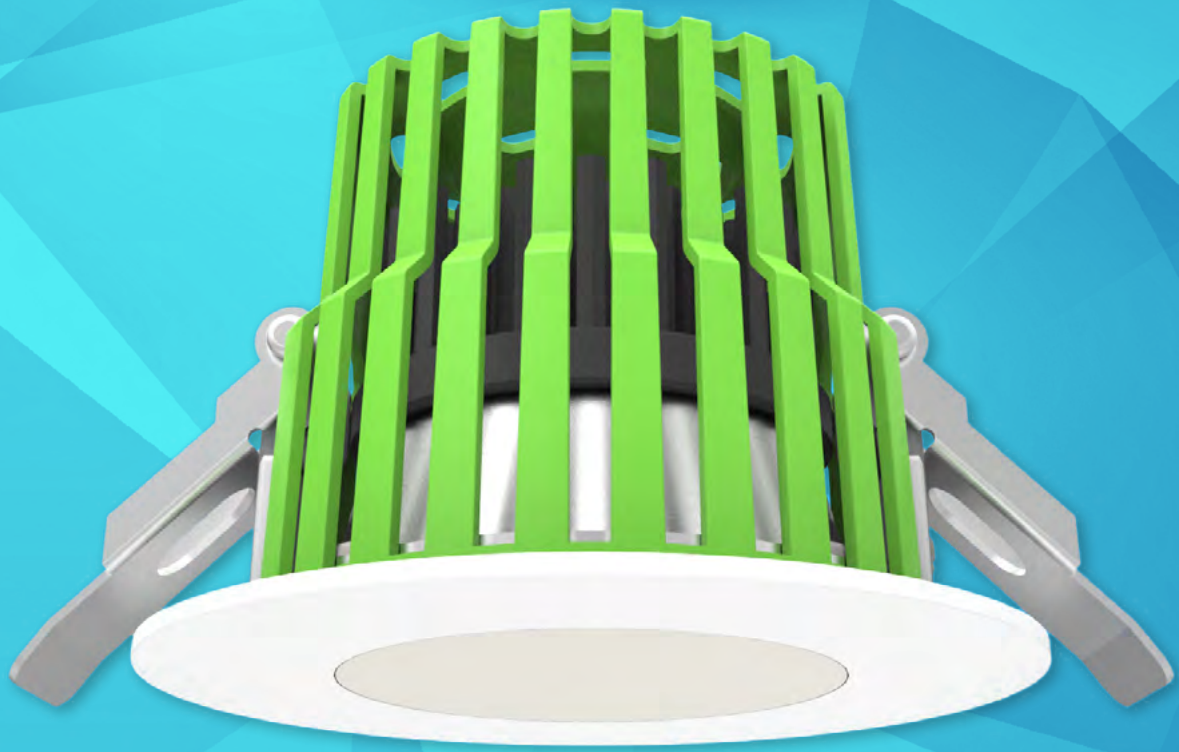
Diode: Edison 120° (Replaceable)
 Material: ABS Plastic
 Lifespan: <35,000hrs, Suitable for 24 hour use.
 Dimensions: D450 x H102.5mm
 Driver: Incorporated (Replaceable)
 Available in: LED356 ICWW (White in 3000K WW)
 LED356 ICNW (White in 4000K NW)

LED356 SENSOR**LED SURFACE MT BUTTON****Sensor Range**

Watts	Lumens	Voltage	CRI
40W	<2700	240V	80

IP54

Diode: Edison 120° (Replaceable)
 Material: ABS Plastic
 Lifespan: <35,000hrs, Suitable for 24 hour use.
 Dimensions: D450 x H102.5mm
 Driver: Incorporated (Replaceable)
 Sensor: Max Range Diameter 10m / Height 6m
 Available in: LED356 ICSEWW (White in 3000K WW)
 LED356 ICSENW (White in 4000K NW)



LED INTERIOR
DOWNLIGHTS

IT'S WHAT'S ON THE INSIDE THAT COUNTS.

Patented Halcyon heat shield, creates a barrier between the heat sink and insulation resulting in more efficient heat dissipation and longer lifespans. We place a huge emphasis on safety, performance and longevity.

IC Rated, not IC-F. Even with our Heat shield we always recommend height and side clearance on higher output luminaires. Research *"Long-term, Low-Temperature Ignition of Wood"* and see if you're still comfortable installing downlights directly into timber.

Every Halcyon downlight kit goes through a 4 hour "burn in" process. After assembly they are individually wired into a test bed and switched on and off over a four hour period. Any faulty products are then removed.

Custom Satin paint to seamlessly blend into your roof, not budget glossy paint.

Wide, solid clips for ease of installation. Engineered with a spacing for your fingers. You can literally feel the Halcyon difference.

Cast Aluminium rod heat sinks. Not covered in thick paint like many cheap fittings. No corners cut. Heat is the enemy of LED, the hotter it runs the lower the lifespan.

We use high end Diodes with accurate binning to ensure uniform light temperature and quality throughout every install.



High CRI, some suppliers use cheap diodes with a low CRI in order to bump up the lumen output at the expense of light quality. Not us.

www.halcyonlights.co.nz

LED INTERIOR DOWNLIGHTS

Halcyon Downlights come in a range of high end custom finishes. Not all colours are pictured in the catalogue please visit www.halcyonlights.co.nz or email info@halcyonlights.co.nz to request product images.



WHITE FINISH



CHROME FINISH



WHITE FINISH WITH PRISMATIC LENS



BRUSHED CHROME FINISH



SILVER FINISH

R738K SMART TILT

LED QUICK CONNECT 25° AIRTIGHT TILT KIT C/W DIMMABLE DRIVER

NZ patent Application No. 625718 (Smart Tilt System)
NZ Design Application No. 418890 (Heat Shield)



Watts	Lumens	mA	CRI	Cut Out	Classification
9.5W	800	260	80	82mm	IC

Diode: Lextar 60° Constant Current (<40,000hrs)
Material: Aluminium
Dimensions: L105 x W105 x H80mm
Driver: Included
Available in: R738 KBCWDL (Brushed Chrome in 3000K WW)
R738 KCWDL (Chrome in 3000K WW)
R738 KSWDL (Silver in 3000K WW)
R738 KWWDL (White in 3000K WW)

IP44



DRDACC260 IOW Dimmable

RETROFIT

82mm

EXTERIOR VERSIONS
AVAILABLE IN 316 STS, 316
BLACK OR 316 WHITE.

R737K SMART TILT

LED QUICK CONNECT 25° AIRTIGHT TILT KIT C/W DIMMABLE DRIVER

NZ patent Application No. 625718 (Smart Tilt System)
NZ Design Application No. 418890 (Heat Shield)



Watts	Lumens	mA	CRI	Cut Out	Classification
9.5W	800	260	80	82mm	IC

Diode: Lextar 60° Constant Current (<40,000hrs)
Material: Aluminium
Dimensions: D105 X H80mm
Driver: Included
Available in: R737 KSWDL (Silver in 3000K WW)
R737 KWWDL / KWNDL (White in 3000K WW or 4000K WW)
R737 KBCWDL (Brushed Chrome in 3000K WW)
R737 KCWDL (Chrome in 3000K WW)
R737 KPWWDL (Prismatic Lens, White in 3000K WW)
R737 KPWWDLIO (Prismatic Lens IO Pack, White in 3000K WW)
R737 KWWDLIO (Clear Lens IO Pack, White in 3000K WW)

IP44



DRDACC260 IOW Dimmable

RETROFIT

82mm

EXTERIOR VERSIONS
AVAILABLE IN 316 STS, 316
BLACK OR 316 WHITE.

R763K MINI FIXED

LED QUICK CONNECT FIXED KIT C/W DIMMABLE DRIVER



Watts	Lumens	mA	CRI	Cut Out	Classification
9.5W	800	260	80	72mm	IC

Diode: Lextar 60° Constant Current (<40,000hrs) **IP44**
 Material: Aluminium
 Dimensions: D86 x H95mm
 Driver: Included
 Available in: R763 KSWDL (Silver in 3000K WW)
 R763 KWWDL (White in 3000K WW)
 R763 KBCWDL (Brushed Chrome in 3000K WW)



DRDACC260 I2W Dimmable

NZ Design Application No. 418890 (Heat Shield)

R770K

"LEDE" ICON DOWNLIGHT C/W HALCYON DRIVER

**LEDE**

VALUE RANGE

Watts	Lumens	mA	CRI	Cut Out	Classification
8W	700	350	80	92mm	IC

Diode: (<30,000hrs) **IP44**
 Material: Aluminium
 Dimensions: D104mm x H46mm
 Driver: Included
 Available in: R770 KBCWDL (Brushed Chrome in 3000K WW)
 R770 KWWDL (White in 3000K WW)
 R770 KWWDLIO (IO Pack, White in 3000k)



DRDACC350 I2W Dimmable

R848K SQUARE FIXED

LED QUICK CONNECT FIXED KIT C/W DIMMABLE DRIVER



Watts	Lumens	mA	CRI	Cut Out	Classification
10.5W	800	350	80	90 x 90mm	IC

Diode: Lextar 90° Constant Current (<40,000hrs) **IP44**
 Material: Aluminium
 Dimensions: D115 x 115 x H73mm
 Driver: Included
 Available in: R848 KSWDL (Silver in 3000K WW)
 R848 KWWDL (White in 3000K WW)
 R848 KBCWDL (Brushed Chrome in 3000K WW)



DRDACC350 12W Dimmable

NZ Design Application No. 418890 (Heat Shield)

R849K SQUARE FIXED

LED QUICK CONNECT FIXED KIT C/W DIMMABLE DRIVER



Watts	Lumens	mA	CRI	Cut Out	Classification
17.5W	1400	350	80	125 x 125mm	IC

Diode: Lextar 90° Constant Current (<40,000hrs) **IP44**
 Material: Aluminium
 Dimensions: D150 x 150 x H73mm
 Driver: Included
 Available in: R849 KSWDL (Silver in 3000K WW)
 R849 KWWDL (White in 3000K WW)

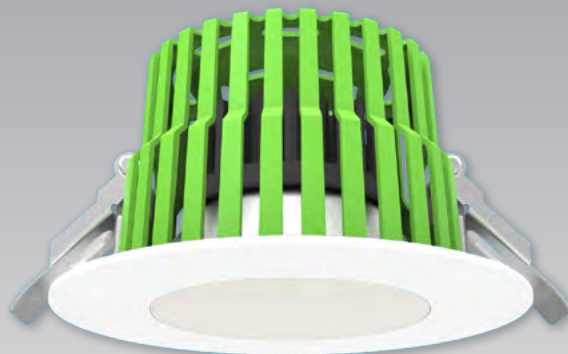


DRDACC350 20W Dimmable

NZ Design Application No. 418890 (Heat Shield)

R920 K FLAT SERIES

LED ROUND FIXED KIT C/W DIMMABLE DRIVER



Watts	Lumens	mA	CRI	Cut Out	Classification
11W	750	350	80	82mm	IC

Diode: Edison 100° Constant Current (<30,000hrs) **IP44**
 Material: Aluminium
 Dimensions: D98 x H66mm
 Driver: Included
 Available in: R920 KWWDL (White in 3000K WW)
 R920 KBAWDL (Brushed Aluminium in 3000K WW)
 R920 KWWDL10 (White 10 Pack in 3000K WW)

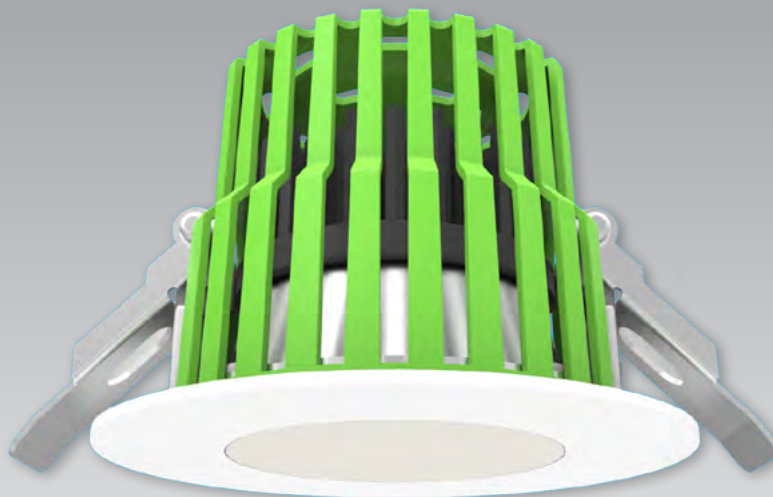


82mm

NZ Design Application No. 418890 (Heat Shield)

R921 K FLAT SERIES

LED ROUND FIXED KIT C/W DIMMABLE DRIVER



Watts	Lumens	mA	CRI	Cut Out	Classification
13W	950	350	80	100mm	IC

Diode: Edison 100° Constant Current (<30,000hrs) **IP44**
 Material: Aluminium
 Dimensions: D120 x H66mm
 Driver: Included
 Available in: R921 KWWDL (White in 3000K WW)
 R921 KBAWDL (Brushed Aluminium in 3000K WW)

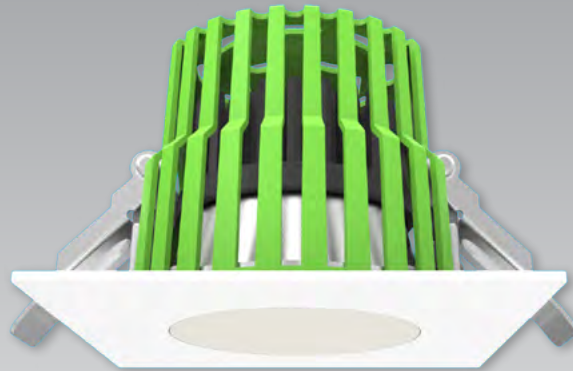


100mm

NZ Design Application No. 418890 (Heat Shield)

R925 K FLAT SERIES

LED SQUARE FIXED KIT C/W DIMMABLE DRIVER



Watts	Lumens	mA	CRI	Cut Out	Classification
11W	750	350	80	82mm	IC

Diode: Edison 100° Constant Current (<30,000hrs) **IP44**
 Material: Aluminium
 Dimensions: L98 x W98 x H66mm
 Driver: Included
 Available in: R925 KWWDL (White in 3000K WW)
 R925 KBAWDL (Brushed Aluminium in 3000K WW)

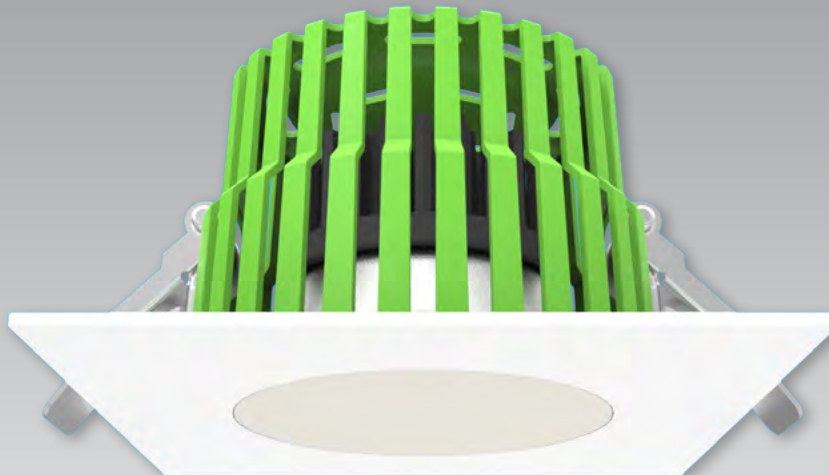


82mm

NZ Design Application No. 418890 (Heat Shield)

R926 K FLAT SERIES

LED SQUARE FIXED KIT C/W DIMMABLE DRIVER



Watts	Lumens	mA	CRI	Cut Out	Classification
13W	950	350	80	100mm	IC

Diode: Edison 100° Constant Current (<30,000hrs) **IP44**
 Material: Aluminium
 Dimensions: L120 x W120 x H66mm
 Driver: Included
 Available in: R926 KWWDL (White in 3000K WW)
 R926 KBAWDL (Brushed Aluminium in 3000K WW)



100mm

NZ Design Application No. 418890 (Heat Shield)

R754K

LED QUICK CONNECT KIT C/W DRIVER



Watts	Lumens	mA	CRI	Cut Out	Classification
9W	750	350	80	90mm	IC

Diode: Samsung I20° Constant Current (<30,000hrs) **IP44**
 Material: Aluminium
 Dimensions: D104 x H74mm
 Driver: Included
 Available in: R754 KWWL / KWWDL (White in 3000K WW)
 R754 KWNL / KWNDL (White in 4000K NW)
 R754 KBAWL / KBAWDL (Brushed Aluminium in 3000K WW)
 R754 KBCWL / KBCWDL (Brushed Chrome in 3000K WW)
 R754 KWWLIO (IO Pack, White in 3000k)



DRACC350 I2W



DRDACC350 I2W Dimmable

NZ Design Application No. 418890 (Heat Shield)

R755K

LED QUICK CONNECT KIT C/W DRIVER



Watts	Lumens	mA	CRI	Cut Out	Classification
14W	<1300	350	80	115mm	IC

Diode: Samsung I20° Constant Current (<30,000hrs) **IP44**
 Material: Aluminium
 Dimensions: D136 x H80mm
 Driver: Included
 Available in: R755 KWWL / KWWDL (White in 3000K WW)
 R755 KWNL / KWNDL (White in 4000K NW)
 R755 KBAWL / KBAWDL (Brushed Aluminium in 3000K WW)
 R755 KBCWL / KBCWDL (Brushed Chrome in 3000K WW)
 R755 KWWLIO (IO Pack, White in 3000k)



DRACC350 20W

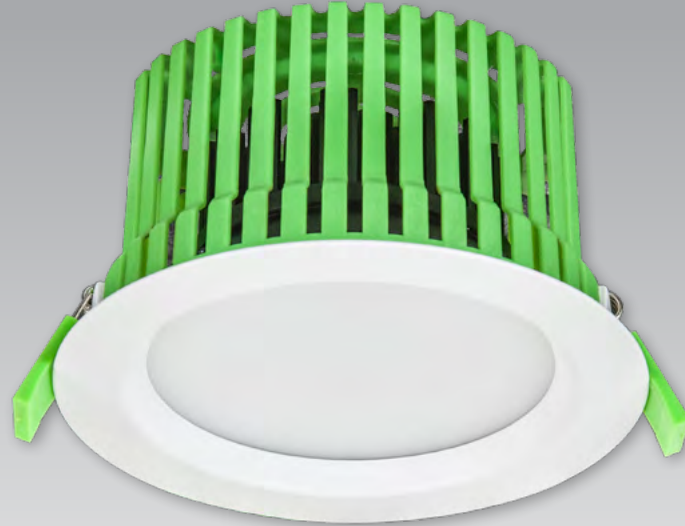


DRDACC350 20W Dimmable

NZ Design Application No. 418890 (Heat Shield)

R756K

LED QUICK CONNECT KIT C/W DRIVER



Watts	Lumens	mA	CRI	Cut Out	Classification
20W	<1950	350	80	145mm	IC

Diode: Samsung I20° Constant Current (<30,000hrs) **IP44**
 Material: Aluminium
 Dimensions: D160 x H92mm
 Driver: Included
 Available in: R756 KWWL / KWWDL (White in 3000K WW)
 R756 KWNL / KWNDL (White in 4000K NW)
 R756 KBAWL / KBAWDL (Brushed Aluminium in 3000K WW)
 R756 KBCWL / KBCWDL (Brushed Chrome in 3000K WW)



NZ Design Application No. 418890 (Heat Shield)

Ultra Efficient	Long Lifespan	High Safety	Top Quality
-----------------	---------------	-------------	-------------



Examples of (1) Brushed Aluminium and (2) Brushed Chrome finish

R765K RETROFIT

LED QUICK CONNECT KIT C/W DRIVER

**RETROFIT**

100-110mm

Watts	Lumens	mA	CRI	Cut Out	Classification
11W	900	350	80	100-110mm	IC

Diode: Lextar 90° Constant Current (<30,000hrs) **IP44**

Material: Aluminium

Dimensions: D120 x H103mm

Driver: Included

Available in: R765 KWWL / KWWDL (White in 3000K WW)

R765 KWNL / KWNDL (White in 4000K NW)

R765 KBCWL / KBCWDL (Brushed Chrome in 3000K WW)



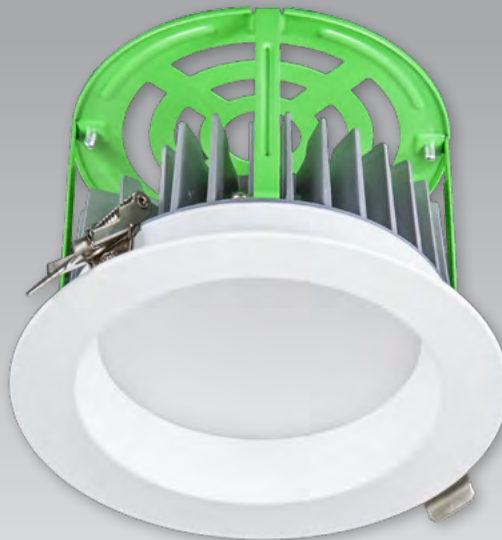
DRACC350 12W



DRDACC350 12W Dimmable

R766K RETROFIT

LED QUICK CONNECT KIT C/W DRIVER

**RETROFIT**

125-135mm

Watts	Lumens	mA	CRI	Cut Out	Classification
16W	1100	350	80	125-135mm	IC

Diode: Lextar 90° Constant Current (<30,000hrs) **IP44**

Material: Aluminium

Dimensions: D150 x H103mm

Driver: Included

Available in: R766 KWWL / KWWDL (White in 3000K WW)

R766 KWNL (White in 4000K NW) (1200lm)



DRACC350 20W



DRDACC350 20W Dimmable

R746K CURVE

LED QUICK CONNECT KIT C/W DIMMABLE DRIVER



Watts	Lumens	mA	CRI	Cut Out	Classification
IOW	730	260	80	66mm	IC

Diode: Sharp 60° Constant Current (<40,000hrs)
 Material: Aluminium
 Dimensions: D90 x H122mm
 Driver: Included
 Available in: R746 KWL (White in 3000K WW)
 R746 KBAL (Brushed Aluminium in 3000K WW)



DRDACC260 I2W Dimmable

R747K CURVE

QUICK CONNECT 25° TILT KIT C/W DIMMABLE DRIVER



Watts	Lumens	mA	CRI	Cut Out	Classification
IOW	730	260	80	79mm	IC

Diode: Sharp 60° Constant Current (<40,000hrs)
 Material: Aluminium
 Dimensions: D100 x H118mm
 Driver: Included
 Available in: R747 KWL (White in 3000K WW)
 R747 KBAL (Brushed Aluminium in 3000K WW)



DRDACC260 I2W Dimmable



Double Available R748 KWL

RC692K**LED QUICK CONNECT 25° TILT KIT C/W DIMMABLE DRIVER**

Watts	Lumens	mA	CRI	Cut Out	Classification
10W	730	260	82	84mm	IC

Diode: Sharp COB 60° Constant Current (<40,000hrs)
 Lifespan: Up to 50,000 hours
 Material: Aluminium
 Dimensions: D95 x H107mm
 Driver: Included
 Available in: RC692 KSL (Silver in 3000K WW)
 RC692 KWL (White in 3000K WW)
 RC692 KBCL (Brushed Chrome in 3000K WW)



DRDACC260 I2W Dimmable

RETROFIT

84mm

RC692KCP**CONVERSION PLATE QUICK CONNECT 25° TILT KIT C/W DIMMABLE DRIVER**

Watts	Lumens	mA	CRI	Cut Out	Classification
10W	730	260	82	84mm - 150mm	IC

Diode: Sharp COB 60° Constant Current (<40,000hrs)
 Material: Aluminium
 Dimensions: DI55 x H107mm
 Driver: Included
 Available in: RC692 KCPWL (White in 3000K WW)
 RC692 KCPSL (Silver in 3000K WW)
 RC692 KCPBCL (Brushed Chrome in 3000K WW)



DRDACC260 I2W Dimmable

RETROFIT

84 - 150mm

RC677K

LED QUICK CONNECT 25° TILT KIT C/W DIMMABLE DRIVER



Watts	Lumens	mA	CRI	Cut Out	Classification
10W	730	260	82	84mm	IC

Diode: Sharp COB 60° Constant Current (<40,000hrs)
 Material: Aluminium
 Dimensions: L95 x W95 x H107mm
 Driver: Included
 Available in: RC677 KSL (Silver in 3000K WW)
 RC677 KWL (White in 3000K WW)
 RC677 KBCL (Brushed Chrome in 3000K WW)



DRDACC260 I2W Dimmable



84mm

RC361 K

LED TILT / ROTATE DOWNLIGHT KIT



Watts	Lumens	mA	CRI	Cut Out	Classification
10W	800lm	260	80	83mm	IC

Diode: Sharp COB 60° Constant Current (<40,000hrs)
 Material: Aluminium
 Dimensions: 113 x H114mm
 Driver: Included
 Available in: RC361 KWL (White in 3000K WW, Dimmable)
 RC361 KBAL (Brushed Aluminium in 3000K, Dimmable)
 Doubles available
 RC361 available without Module and Driver



DRDACC260 I2W Dimmable

R693K

LED PIROUETTE QUICK CONNECT KIT C/W DIMMABLE DRIVER



Watts	Lumens	mA	CRI	Cut Out	Classification
8W	618	500	80	93mm	IC

Diode: Sharp COB 38° Constant Current (<30,000hrs)
 Material: Aluminium
 Dimensions: D105 X H60MM
 Driver: Included
 Available in: R693KSL (Silver in 3000K WW)
 R693 KWL (White in 3000K WW)
 R693 KBCL (Brushed Chrome in 3000K WW)



DRDACC500 I2W Dimmable

90° TILT
360° ROTATE

R866

COMMERCIAL / RESIDENTIAL LED 45° TILT 355° ROTATE DOWNLIGHT



Watts	Lumens	mA	CRI	Cut Out	Classification
13W	1237	350	80	92mm	IC

Diode: Cree COB 50° Constant Current (<40,000hrs)
 Material: Aluminium
 Dimensions: D100 x H67mm
 Driver: Sold separately
 Available in: R866 WWL (White in 3000K WW) R866 SWL (Silver in 3000K WW)
 R866 WNL (White in 4000K NW) R866 SNL (Silver in 4000K NW)
 R866 BWL (Black in 3000k WW)

RC333**LED TILT / ROTATE DOWNLIGHT**

Cut Out	Classification	Drivers / Modules Purchased Separately
82mm	IC	Available in Doubles and Triples

Material: Aluminium
 Dimensions: L90 x W90 x H150mm
 Available in: RC333 WL (White)
 RC333 BAL (Brushed Aluminium)
 Double: RC334
 Triple: RC335
 Halogen options available

RC304**LED GIMBAL DOWNLIGHT**

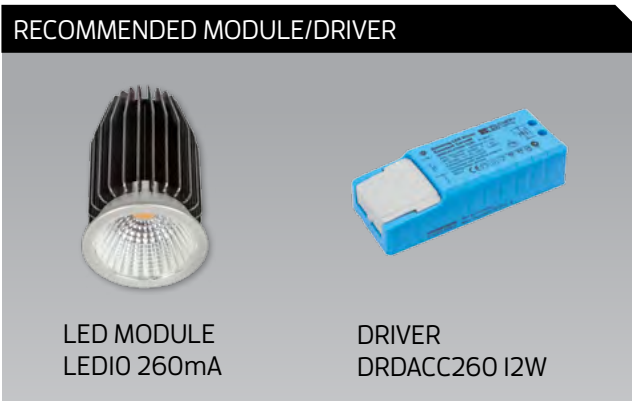
Cut Out	Classification	Drivers / Modules Purchased Separately
98 x 98mm	IC	Available in Doubles and Triples

Material: Aluminium
 Dimensions: L110 x W110 x H150mm
 Available in: RC304 SL (Silver)
 RC304 WL (White)
 RC304 BCL (Brushed Chrome)
 Double: RC305
 Triple: RC306
 Halogen options available

RC321**LED GIMBAL DOWNLIGHT**

Cut Out	Classification	Drivers / Modules Purchased Separately
98mm	IC	Available in Doubles and Triples

Material: Aluminium
 Dimensions: L110 x W110 x H150mm
 Available in: RC321 SL (Silver)
 RC321 WL (White)
 Double: RC322
 Triple: RC323
 Halogen options available

RECOMMENDED MODULE/DRIVER

LED MODULE
LEDIO 260mA

DRIVER
DRDACC260 12W

R381 LED BILLET SPOT FOR PLASTERBOX

Watts	Lumens	mA	CRI	Cut Out	Classification
10W	730	260	80	N/A	IC

Diode: Sharp 30° Constant Current (<40,000hrs)
 Material: Aluminium
 Dimensions: L102 x W102 x H53mm
 Driver: Sold Separately
 Available in: R381 WL (White ind 3000K WW)

R381 PB TRIMLESS SINGLE 10MM & 13MM

Material: Raw Plaster
 Cut Out: 190 x 190mm
 Available in: R381 PBI0 (10mm Single)
 R381 PBI3 (13mm Single)

R382 LED BILLET SPOT FOR PLASTERBOX

Watts	Lumens	mA	CRI	Cut Out	Classification
2 x 10W	2 x 730	260	80	N/A	IC

Diode: Sharp 30° Constant Current (<40,000hrs)
 Material: Aluminium
 Dimensions: L200 x W102 x H96mm
 Driver: Sold Separately (2x260mA needed)
 Available in: R382 WL (White ind 3000K WW)

R382 PB TRIMLESS DOUBLE 10MM & 13MM

Material: Raw Plaster
 Cut Out: 290 x 190mm
 Available in: R382 PBI0 (10mm Single)
 R382 PBI3 (13mm Single)

R778K

LED KIT C/W DIMMABLE DRIVER



Watts	Lumens	mA	CRI	Cut Out	Classification
I0W	730	500	80	77mm	IC

Diode: Sharp 60° Constant Current (<40,000hrs)
 Material: Aluminium
 Dimensions: D100 x H140mm
 Driver: Included
 Available in: R778 KSL (Silver in 3000K WW)
 R778 KWL (White in 3000K WW)
 R778 KBCL (Brushed Chrome in 3000K WW)



DRDACC500 I2W Dimmable

Accessories:



R778 FGS (Floating Glass cover in Silver)
 R778 FGW (Floating Glass cover in White)
 R778 FGBC (Floating Glass cover in Br. Chrome)

R779K

LED QUICK CONNECT KIT C/W DIMMABLE DRIVER



Watts	Lumens	mA	CRI	Cut Out	Classification
I0W	730	500	80	77mm	IC

Diode: Sharp 60° Constant Current (<40,000hrs)
 Material: Aluminium
 Dimensions: L100 x W100 x H140mm
 Driver: Included
 Available in: R779 KSL (Silver in 3000K WW)
 R779 KWL (White in 3000K WW)
 R779 KBCL (Brushed Chrome in 3000K WW)



DRDACC500 I2W Dimmable

Accessories:



R779 FGS (Floating Glass cover in Silver)
 R779 FGW (Floating Glass cover in White)
 R779 FGBC (Floating Glass cover in Br. Chrome)

R789K BATHROOM

LED QUICK CONNECT KIT C/W DRIVER



Watts	Lumens	mA	CRI	Cut Out	Classification
10W	531	500	80	77mm	IC

Diode: Sharp 37° Constant Current (<40,000hrs) **IP44**
 Material: Aluminium
 Dimensions: D100 x H140mm
 Driver: Included
 Available in: R789 KWL (White in 3000K WW)
 R789 KSL (Silver in 3000K WW)
 R789 KBCL (Brushed Chrome in 3000K WW)



DRACC500 I2W

R790K BATHROOM

LED QUICK CONNECT KIT C/W DRIVER



Watts	Lumens	mA	CRI	Cut Out	Classification
10W	531	500	80	77mm	IC

Diode: Sharp 37° Constant Current (<40,000hrs) **IP44**
 Material: Aluminium
 Dimensions: L100 x W100 x H140mm
 Driver: Included
 Available in: R790 KWL (White in 3000K WW)
 R790 KSL (Silver in 3000K WW)
 R790 KBCL (Brushed Chrome in 3000K WW)



DRACC500 I2W

R787 BATHROOM

ACRYLIC FIXED LED



Watts	Lumens	mA	CRI	Cut Out	Classification
6W	425	350	80	80mm	IC

Diode: Osram 35° Constant Current (<30,000hrs) **IP44**
 Material: Aluminium / Acrylic
 Dimensions: D90 x H60mm
 Driver: Sold Separately
 Available in: R787 CFL (Clear Frosted in 3000K WW)

R788 BATHROOM

ACRYLIC FIXED LED



Watts	Lumens	mA	CRI	Cut Out	Classification
6W	425	350	80	80mm	IC

Diode: Osram 35° Constant Current (<30,000hrs) **IP44**
 Material: Aluminium / Acrylic
 Dimensions: L90 x W90 x H60mm
 Driver: Sold Separately
 Available in: R788 CFL (Clear Frosted in 3000K WW)



LED INTERIOR
COMMERCIAL

R855**LED 45°TILT /355° ROTATE**

Watts	Lumens	mA	CRI	Cut Out	Classification
10W	579	700	80	85mm	CAI35

Diode: Osram 45° Constant Current (<40,000hrs)
 Material: Die Cast Aluminium
 Dimensions: D95 x H59mm
 Driver: Sold Separately
 Available in: R855 WWL (White in 3000K WW)

R821**LED DARKLIGHT TILT**

Watts	Lumens	mA	CRI	Cut Out	Classification
7.5W	629	500	80	90mm	CAI35

Diode: Sharp COB 25° Constant Current (<40,000hrs)
 Material: Aluminium
 Dimensions: 103 x H89mm
 Driver: Sold Separately
 Available in: R821 WWL (White in 3000K WW)

R822**LED DARKLIGHT TILT**

Watts	Lumens	mA	CRI	Cut Out	Classification
13W	1066	350	80	100mm	CAI35

Diode: Sharp COB 20° Constant Current (<40,000hrs)
 Material: Aluminium
 Dimensions: 113 x H114mm
 Driver: Sold Separately
 Available in: R822 WWL (White in 3000K WW)
 R822 WNL (White in 4000K NW)

R824**LED DARKLIGHT TILT**

Watts	Lumens	mA	CRI	Cut Out	Classification
28W	2500	700	80	150mm	NON-IC

Diode: Cree COB 10° Constant Current (<40,000hrs)
 Material: Aluminium
 Dimensions: 164 x H154mm
 Driver: Sold Separately
 Available in: R824 WNL (White in 4000K NW)

R867 COMMERCIAL LED 45°TILT /355° ROTATE

Watts	Lumens	mA	CRI	Cut Out	Classification
13W	1237	350	80	100mm	CAI35

Diode: Cree 50° Constant Current (<40,000hrs)
 Material: Aluminium C/W Safety Glass
 Dimensions: DI12 x H88mm
 Driver: Sold Separately
 Available in: R867 WWL / WNL (White in 3000K WW or 4000K NW)
 R867 SWL / SNL (Silver in 3000K WW or 4000K NW)
 R867 BWL / BNL (Black in 3000K WW or 4000K NW)

R868 COMMERCIAL LED 45°TILT /355° ROTATE

Watts	Lumens	mA	CRI	Cut Out	Classification
25W	2347	700	80	150mm	NON IC

Diode: Sharp 70° Constant Current (<40,000hrs)
 Material: Aluminium C/W Safety Glass
 Dimensions: DI62 x HI38mm
 Driver: Sold Separately
 Available in: R868 WWL / WNL (White in 3000K WW or 4000K NW)
 R868 SNL (Silver in 4000K NW)
 R868 BWL / BNL (Black in 3000K WW or 4000K NW)

R869 COMMERCIAL LED 45°TILT /355° ROTATE

Watts	Lumens	mA	CRI	Cut Out	Classification
33.3W	3065	900	80	175mm	NON IC

Diode: Sharp 70° Constant Current (<40,000hrs)
 Material: Aluminium C/W Safety Glass
 Dimensions: DI88 x HI65mm
 Driver: Sold Separately
 Available in: R869 WNL (White in 4000K NW)
 R869 SNL (Silver in 4000K NW)

R870 COMMERCIAL LED 45°TILT /355° ROTATE

Watts	Lumens	mA	CRI	Cut Out	Classification
45.5W	4500	950	80	175mm	NON IC

Diode: Sharp 70° Constant Current (<40,000hrs)
 Material: Aluminium C/W Safety Glass
 Dimensions: DI88 x HI65mm
 Driver: Sold Separately
 Available in: R870 WNL (White in 4000K NW)
 R870 BNL (Black in 4000K NW)



20° & 40° Reflectors available for R867-R870

R852**COMMERCIAL FIXED DOWNLIGHT**

Watts	Lumens	mA	CRI	Cut Out	Classification
25.9	2347	700	80	125mm	NON IC

Diode: Mega-Zenigata 70° COB Constant Current (<40,000hrs)
 Material: Die Cast Aluminium with Safety Glass
 Dimensions: DI38 x HI05mm
 Driver: Sold separately
 Available in: R852 WWL (White in 3000K WW)
 R852 WNL (White in 4000K NW)

R853**COMMERCIAL FIXED DOWNLIGHT**

Watts	Lumens	mA	CRI	Cut Out	Classification
33.3	3065	900	80	150mm	NON IC

Diode: Mega-Zenigata 70° COB Constant Current (<40,000hrs)
 Material: Die Cast Aluminium with Safety Glass
 Dimensions: DI65 x HI37mm
 Driver: Sold separately
 Available in: R853 WWL (White in 3000K WW)
 R853 WNL (White in 4000K NW)

R799**COMMERCIAL 85° TILT FLOOD**

Watts	Lumens	mA	CRI	Cut Out	Classification
2X20W	3748	700	80	220 X 130mm	NON IC

Diode: Sharp 74° COB Constant Current (<35,000hrs)
 Material: Die Cast Aluminium with Safety Glass and front face safety wire
 Dimensions: L242 x W151 x H82MM
 Driver: Included (pre wired with 3 pin plug)
 Available in: R799 KWNL (White in 4000K)

**DRACC700 40W**

R767 K

LOW PROFILE COMMERCIAL LED QUICK CONNECT KIT



Watts	Lumens	mA	CRI	Cut Out	Classification
22W	2000	700	80	170mm	NON IC

Diode: Lextar 90° Constant Current (<30,000hrs) **IP44**
 Material: Aluminium
 Dimensions: D195 x H70mm
 Driver: Included
 Available in: R767 KWNL (White in 4000K NW)
 R767 KWNDL (White, Dimmable in 4000K NW)



DRACC700 40W



DRDACC700 40W Dimmable

R768 K

LOW PROFILE COMMERCIAL LED QUICK CONNECT KIT



Watts	Lumens	mA	CRI	Cut Out	Classification
35W	3000	700	80	195mm	NON IC

Diode: Lextar 90° Constant Current (<30,000hrs) **IP44**
 Material: Aluminium
 Dimensions: D225 x H70mm
 Driver: Included
 Available in: R768 KWNL (White in 4000K NW)
 R768 KWNDL (White, Dimmable in 4000K NW)



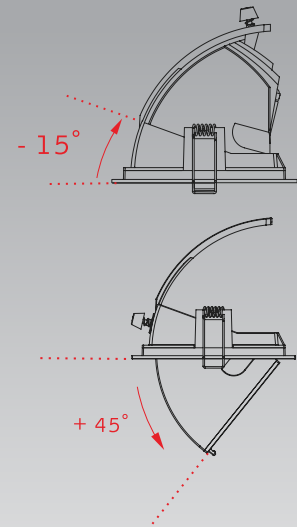
DRACC700 40W



DRDACC700 40W Dimmable

R859

SQUARE WALL WASHER -15° TO 45° TILT



Watts	Lumens	mA	CRI	Cut Out	Classification
19.5W	1800	500	80	115 x 115mm	NON IC

Diode: Cree 75° Constant Current (<40,000hrs)
 Material: Aluminium
 Dimensions: L125 x W125 x H109mm
 Driver: Sold Separately
 Available in: R859 WNL (White in 4000K NW)
 R859 SNL (Silver in 4000K NW)

R840

HIGH OUTPUT COMMERCIAL LED TILT / GIMBAL



Watts	Lumens	mA	CRI	Cut Out	Classification
45W	4500	950	80	178mm	NON IC

Diode: Sharp COB 70° Constant Current (<40,000hrs)
 REFLECTOR OPTION 12°, 20°, 40°
 Material: Aluminium
 Dimensions: 191 x H154mm
 Driver: Sold Separately (DRPHCC950 50W)
 Available in: R840 WNL (White in 4000K NW)
 R840 SNL (Silver in 4000K NW)
 R840 WWL (White in 3000K NW)

R834 COMMERCIAL DOWNLIGHT MULTI FIXED

Cut Out	Classification
135mm	NON IC

Diode: Sold Separately
 Material: Aluminium
 Dimensions: D150 x H90mm
 Driver: Sold Separately
 Available in: R834 S (Silver)
 R834 W (White)

Module sold separately, pictured with LED26WWAR60 see page 87

R832 COMMERCIAL MULTI TILT/ROTATE

Cut Out	Classification
178mm	NON IC

Diode: Sold Separately
 Material: Aluminium
 Dimensions: D190 x H40mm
 Driver: Sold Separately
 Available in: R832 S (Silver)
 R832 W (White)

Module sold separately, pictured with LED18WWAR30 see page 87

RT3II COMMERCIAL MULTI TILT/ROTATE

Cut Out	Classification
165 x 165mm	CA80

Diode: Sold Separately
 Material: Aluminium & Steel
 Dimensions: D185 x 185 x H191mm
 Driver: Sold Separately
 Available in: RT3II S (Silver)
 RT3II W (White)
 Use RT3I8 AR to fit ARIII LED modules into RT3II
 Single and Double only in White
 Single, Double, Triple & Quad in Silver

Module sold separately, pictured with RT3I9 SN33L

RT3I9 RT3II MODULE

Watts	Lumens	Voltage
33.3W	3000	900mA

Diode: COB 33.3W 70° <35,000hrs
 Material: Aluminium & Steel
 Driver: Sold Separately
 Dimensions: D147 x H142mm
 Available in: RT3I9 SN33L (Silver in 4000K)

Watts	Lumens	Voltage
45W	4500	900mA

Diode: COB 45W 70° <35,000hrs
 Material: Aluminium & Steel
 Driver: Sold Separately
 Dimensions: D147 x H142mm
 Available in: RT3I9 WN45L (White in 4000K)
 RT3I9 SN45L (Silver in 4000K)

LED354

LED SURFACE MT BUTTON



Watts	Lumens	Voltage	CRI
16W	<1050	240V	80

IP54

Diode: Edison I20° (Replaceable)
 Material: ABS Plastic
 Lifespan: <35,000hrs, Suitable for 24 hour use.
 Dimensions: D275 x H82mm
 Driver: Incorporated (Replaceable)
 Available in: LED354 ICWW (White in 3000K WW)
 LED354 ICNW (White in 4000K NW)

LED355

LED SURFACE MT BUTTON



Watts	Lumens	Voltage	CRI
22W	<1500	240V	80

IP54

Diode: Edison I20° (Replaceable)
 Material: ABS Plastic
 Lifespan: <35,000hrs, Suitable for 24 hour use.
 Dimensions: D355 x H118mm
 Driver: Incorporated (Replaceable)
 Available in: LED355 ICWW (White in 3000K WW)
 LED355 ICNW (White in 4000K NW)

LED356

LED SURFACE MT BUTTON



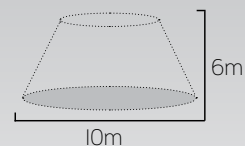
Watts	Lumens	Voltage	CRI
40W	<2700	240V	80

IP54

Diode: Edison I20° (Replaceable)
 Material: ABS Plastic
 Lifespan: <35,000hrs, Suitable for 24 hour use.
 Dimensions: D450 x H102.5mm
 Driver: Incorporated (Replaceable)
 Available in: LED356 ICWW (White in 3000K WW)
 LED356 ICNW (White in 4000K NW)

LED356 SENSOR

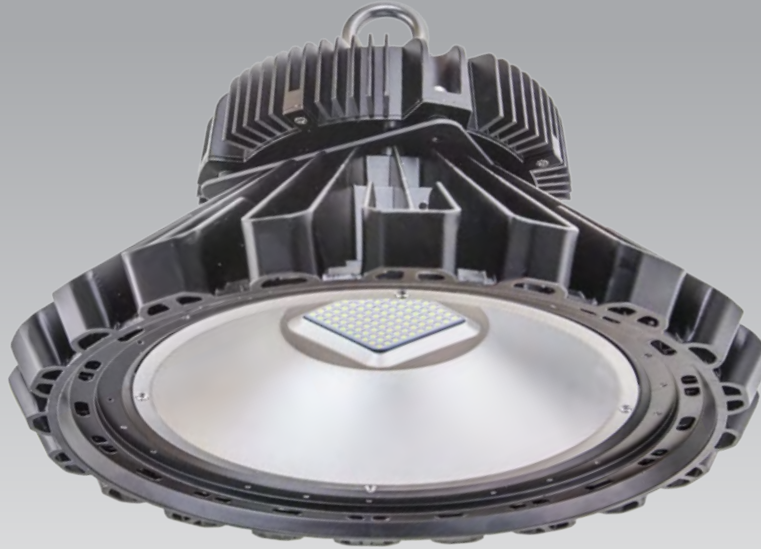
LED SURFACE MT BUTTON

**Sensor Range**

Watts	Lumens	Voltage	CRI
40W	<2700	240V	80

IP54

Diode: Edison I20° (Replaceable)
 Material: ABS Plastic
 Lifespan: <35,000hrs, Suitable for 24 hour use.
 Dimensions: D450 x H102.5mm
 Driver: Incorporated (Replaceable)
 Sensor: Max Range Diameter 10m / Height 6m
 Available in: LED356 ICSEWW (White in 3000K WW)
 LED356 ICSENW (White in 4000K NW)

P435**LED MINI HIGH BAY**

Watts	Lumens	Working Temp	CRI	Classification
200W	19,000lm	-40°C - +40°C	80	N/A

Diode: 120° Nichia Constant Current (<50,000hrs)

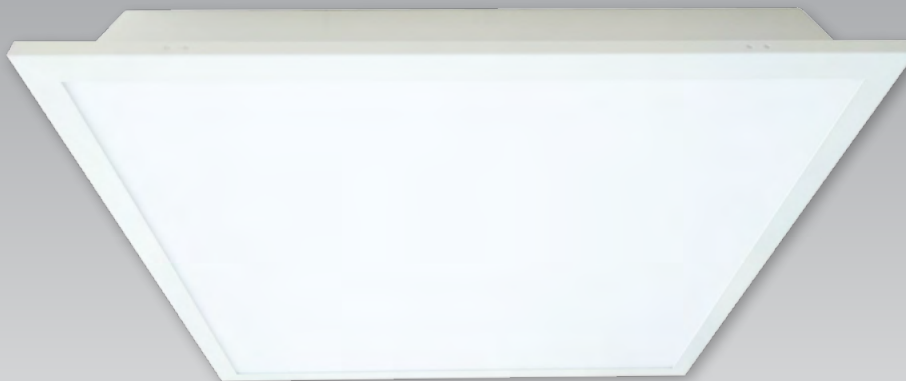
Material: Aluminium

Dimensions: D360 x H236mm

Driver: Incorporated

Available in: P435 IPCL (Black in 4000K NW)

Accessories: P435 SMB (Surface Mount Bracket)

R400**COMMERCIAL LED PANEL LIGHT**

Watts	Lumens	CRI	Cut Out	Classification
50W	4700	80	N/A	NON-IC

Diode: Rear Mount Lexstar 107° Constant Current <50,000hrs

Material: Aluminium

Dimensions: L596 x W596 x H110mm

Driver: Incorporated

Available in: R400 WNL (White in 4000K NW)

R401**COMMERCIAL LED PANEL LIGHT**

Watts	Lumens	CRI	Cut Out	Classification
50W	4700	80	N/A	NON-IC

Diode: Rear Mount Lexstar 107° Constant Current <50,000hrs
 Material: Aluminium
 Dimensions: L1196 x W296 x H110mm
 Driver: Incorporated
 Available in: R401 WNL (White in 4000K NW)

R402**COMMERCIAL LED PANEL LIGHT**

Watts	Lumens	CRI	Cut Out	Classification
90W	8400	80	N/A	NON-IC

Diode: Rear Mount Lexstar 107° Constant Current <50,000hrs
 Material: Aluminium
 Dimensions: L1196 x W596 x H110mm
 Driver: Incorporated
 Available in: R402 WNL (White in 4000K NW)

LED440 N / LED441 N / LED442 N

MULTIPURPOSE LED BATTEN



Code	Watts	Lumens	Dimension
LED440 N (2ft 4000K)	20W	1700	L613 x W82 x H67MM
LED441 N (4ft 4000K)	40W	3400	L1223 x W82 x H67MM
LED442 W (5ft 4000K)	60W	5000	L1523 x W82 x H67MM

Diode: Edison I20° (Replaceable)
 Material: ABS Plastic
 Lifespan: <30,000hrs
 Driver: Incorporated (Replaceable)

LED450 IPN / LED451 IPN / LED452 IPN

MULTIPURPOSE LED BATTEN IP65



Code	Watts	Lumens	Dimension
LED450 IPN (2ft 4000K)	20W	1400	L653 x W128 x D80mm
LED451 IPN (4ft 4000K)	40W	2800	L1263m x W128 x D80mm
LED452 IPN (5ft 4000K)	60W	4950	L1563 x W128 x D80mm

Diode: Edison I20° (Replaceable)
 Material: ABS Plastic
 Lifespan: <30,000hrs
 Driver: Incorporated (Replaceable)

IP65

LED201 IOWN

LED PORTABLE FLOOD

REMOVABLE BATTERY PACK



Watts	Lumens	Battery	Battery Life
10W	689lm	5200mAh Samsung	6-24hrs

Diode: Epistar LED
 Material: Aluminium and Toughened Glass
 Dimensions: L145 x W160 x H240mm
 Available in: LED201 IOWN (4000K NW)
 Included: Mains & Car Charger
 USB port for charging phone
 Accessories: LED201 IOBAT (Spare battery pack)



LED202 20WN

LED PORTABLE FLOOD

REMOVABLE BATTERY PACK



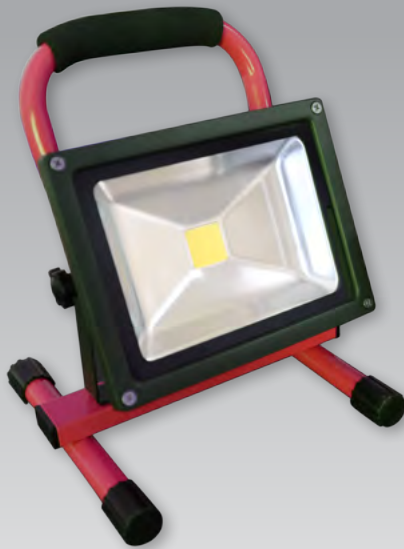
Watts	Lumens	Battery	Battery Life
20W	1467lm	10,400mAh Samsung	6-24hrs

Diode: Epistar LED
 Material: Aluminium and Toughened Glass
 Dimensions: L215 x W185 x H285 mm
 Available in: LED202 20WN (4000K NW)
 Included: Mains & Car Charger
 USB port for charging phone
 Accessories: LED202 20BAT (Spare battery pack)



LED200 RGB

LED PORTABLE BATTERY FLOOD



IP65

Watts	Lumens	Battery	Battery Life
20W	N/A	8,800mAh Samsung	6-8hrs

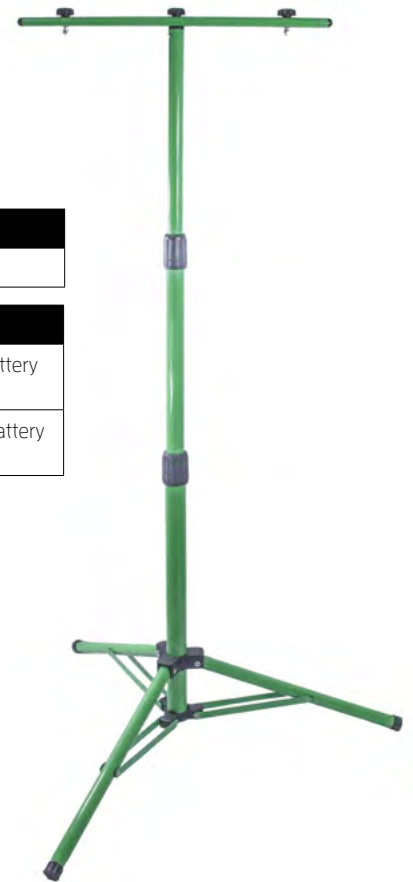
Diode: Epistar LED
 Material: Aluminium and Toughened Glass
 Dimensions: L215 x W185 x H285 mm
 Available in: LED200 20WRGB (Red/Green/Blue)
 Included: Mains & Car Charger & Remote Control

ACCESSORIES

LED200 TRI	Tripod
------------	--------

SPARES

LED201 IOBAT	10W Battery Pack
LED202 20BAT	20W Battery Pack





LED INTERIOR TRACK



S320 IT SINGLE CIRCUIT TRACK SPOT



Watts	Lumens	Voltage	CRI	Tilt	Rotate
13W	1110	240V	80	180°	355°

Diode: Sharp COB 50° < 40,000hrs
 Material: Aluminium & Safety Glass
 Dimensions: Spot Dia: 60mm W74 x H164mm
 Driver: Incorporated
 Available in: S320 ITSWL (Silver in 3000K WW)
 S320 ITWWL (White in 3000K WW)
 S320 ITBWL (Black in 3000K WW)
 S320 ITSWDL Dimmable (Silver in 3000K WW)
 S320 ITWWDL Dimmable (White in 3000K WW)
 S320 ITBWDL Dimmable (Black in 3000K WW)

PLEASE NOTE
 DIMMABLE VERSION
 HAS DRIVER IN BASE
 SEE S321 FOR VISUAL
 REFERENCE

Dimmable Option

T249/ T260 SPOT SURFACE MOUNT ADAPTER



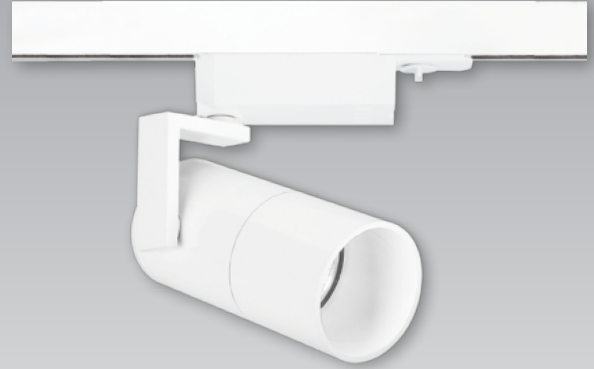
T249/T260 do not come complete with spot
 Pictured: T249 CMS with S320 ITSWL

Available in: T249 CMS (Single Circuit S.M.A in Silver)
 T249 CMW (Single Circuit S.M.A in White)
 T260 CMB (Three Circuit S.M.A in Black)
 T260 CMS (Three Circuit S.M.A in Silver)
 T260 CMW (Three Circuit S.M.A in White)

S321 IT**THREE CIRCUIT TRACK SPOT**

Watts	Lumens	Voltage	CRI	Tilt	Rotate
13W	1110	240V	80	180°	355°

Diode: Sharp Diode 50° <40,000hrs
 Material: Aluminium & Safety Glass
 Dimensions: Spot Dia: 60mm W74 x H171mm
 Driver: Incorporated
 Available in: S321 ITSWL (Silver in 3000K)
 S321 ITSNL (Silver in 4000K)
 S321 ITWWL (White in 3000K WW)
 S321 ITWNL (White in 4000K NW)
 S321 ITBNL (Black in 4000K NW)

S322 IT**THREE CIRCUIT TRACK SPOT**

Watts	Lumens	Voltage	CRI	Tilt	Rotate
26W	2350	240V	80	180°	355°

Diode: Sharp COB 60° <40,000hrs
 Material: Aluminium & Safety Glass
 Dimensions: Spot Dia: 90mm W104 x H247mm
 Driver: Incorporated
 Available in: S322 ITSNL (Silver in 4000K NW)
 S322 ITWNL (White in 4000K NW)
 S322 ITBNL (Black in 4000K NW)

S323 IT**THREE CIRCUIT TRACK SPOT**

Watts	Lumens	Voltage	CRI	Tilt	Rotate
32W	3600	240V	80	180°	355°

Diode: Sharp COB 60° <40,000hrs
 Material: Aluminium & Safety Glass
 Dimensions: Spot Dia: 118mm W104 x H286mm
 Driver: Incorporated
 Available in: S323 ITSNL (Silver in 4000K NW)
 S323 ITWNL (White in 4000K NW)
 S323 ITBNL (Black in 4000K NW)



S330 / S331 IT SINGLE CIRCUIT TRACK SPOT



Watts	Lumens	Voltage	CRI	Tilt	Rotate
13W	1100	240V	80	180°	355°

Diode: Sharp Diode 50° <40,000hrs
 Material: Aluminium & Safety Glass
 Dimensions: Spot Dia: 60x60mm W75 x H162mm
 Driver: Incorporated
 Available in: S330 ITBWL (Black in 3000K WW)
 S330 ITSWL (Silver in 3000K WW)
 S330 ITWWL (White in 3000K WW)
 S331 ITBWL (Black, Dimmable in 3000K WW)
 S331 ITSWDL (Silver, Dimmable in 3000K WW)
 S331 ITWWDL (White, Dimmable in 3000K WW)

PLEASE NOTE
 DIMMABLE VERSION
 HAS DRIVER IN BASE
 SEE S335 FOR VISUAL
 REFERENCE

S335 IT THREE CIRCUIT TRACK SPOT



Watts	Lumens	Voltage	CRI	Tilt	Rotate
13W	1110	240V	80	180°	355°

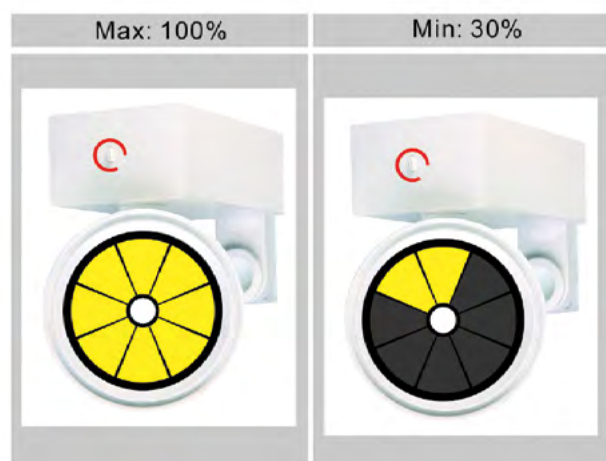
Diode: Sharp Diode 50° <40,000hrs
 Material: Aluminium & Safety Glass
 Dimensions: Spot Dia: 60x60mm W76 x H159mm
 Driver: Incorporated
 Available in: S335 ITBNDL (Black, Dimmable in 4000K NW)
 S335 ITSNL (Silver, Dimmable in 4000K NW)
 S335 ITSWDL (Silver, Dimmable in 3000K NW)
 S335 ITWNDL (White, Dimmable in 4000K NW)
 S335 ITWWDL (White, Dimmable in 3000K NW)





Individual Dimming I - IOV

Unique hand adjustable individually dimmable fittings available for S29I and S294 3 circuit models. Dimming is via a secondary dimming controller located on the bottom of the Driver housing. NB: Currently available for White only.



S290 IT**THREE CIRCUIT TRACK SPOT**

Watts	Lumens	Voltage	CRI	Tilt	Rotate
13W	1110	240V	80	180°	355°

Diode: Sharp COB 50° <40,000hrs
 Material: Aluminium & Safety Glass
 Dimensions: Spot Dia: 75mm W82 x H148mm
 Driver: Incorporated
 Available in: S290 ITSWL (Silver in 3000K WW)
 S290 ITWWL (White in 3000K WW)
 S290 ITSNL (Silver in 4000K NW)
 S290 ITWNL (White in 4000K NW)
 S290 ITNBL (Black in 4000K NW)

S291 IT**THREE CIRCUIT TRACK SPOT**

Watts	Lumens	Voltage	CRI	Tilt	Rotate
26W	2350	240V	80	180°	355°

Diode: Sharp COB 70° <40,000hrs
 Material: Aluminium & Safety Glass
 Dimensions: Spot Dia: 95mm W145 x H184mm
 Driver: Incorporated
 Available in: S291 ITWWL (White in 3000K WW)
 S291 ITSNL (Silver in 4000K)
 S291 ITNDL (Silver, Dimmable in 4000K NW)

**S292 IT****THREE CIRCUIT TRACK SPOT**

Watts	Lumens	Voltage	CRI	Tilt	Rotate
33W	3000	240V	80	180°	355°

Diode: Sharp COB 70° <40,000hrs
 Material: Aluminium & Safety Glass
 Dimensions: Spot Dia: 125mm W179 x H207mm
 Driver: Incorporated
 Available in: S292 ITSNL (Silver in 4000K NW)
 S292 ITWNL (White in 4000K NW)

S294 IT**THREE CIRCUIT TRACK SPOT**

Watts	Lumens	Voltage	CRI	Tilt	Rotate
45W	4500	240V	80	180°	355°

Diode: Sharp COB 60° <40,000hrs
 Material: Aluminium & Safety Glass
 Dimensions: Spot Dia: 125mm W180 x H211mm
 Driver: Incorporated
 Available in: S294 ITSNL (Silver in 4000K NW)
 S294 ITWNL (White in 4000K NW)
 S294 ITWNDL (White, Dimmable in 4000K NW)
 S294 ITNBL (Black in 4000K NW)



T260 Surface Mount Adapter fits all S290 - S294 range.

SINGLE CIRCUIT**TRACK LENGTHS AND ACCESSORIES.**

CODE	DESCRIPTION
T510 B	1m Track length in Black
T510 S	1m Track length in Silver
T510 W	1m Track length in White
T520 B	2m Track length in Black
T520 S	2m Track length in Silver
T520 W	2m Track length in White
T530 B	3m Track length in Black
T530 S	3m Track length in Silver
T530 W	3m Track length in White
T540 MLS	Mains Connector Earth Left in Silver
T540 MLW	Mains Connector Earth Left in White
T540 MRS	Mains Connector Earth Right in Silver
T540 MRW	Mains Connector Earth Right in White
T541 ES	End cap in Silver
T541 EW	End cap in White
T542 JB	Mini Joiner in Black
T542 JS	Mini Joiner in Silver
T542 JW	Mini Joiner in White
T543 LIS	L Connector Earth Inside Silver
T543 LIW	L Connector Earth Inside White
T543 LOS	L Connector Earth Outside Silver
T543 LOW	L Connector Earth Outside White
T544 TLS	T Connector Earth Left in Silver
T544 TLW	T Connector Earth Left in White
T544 TRS	T Connector Earth Right in Silver
T544 TRW	T Connector Earth Right in White
T545 XS	X Connector in Silver
T545 XW	X Connector in White
T546 FS	Flexi Mains Joiner in Silver
T546 FW	Flexi Mains Joiner in White
T547 SS	3m Cable Suspension in Silver
T547 SW	3m Cable Suspension in White
T548 CS	Centre Mains in Silver
T548 CW	Centre Mains in White
T549 RS	Rod Suspension in Silver
T549 RW	Rod Suspension in White
T550 TJPS	Jack Point Trans 50W I2V in Silver
T550 TJPW	Jack Point Trans 50W I2V in White
T551 TAS	Trans STD Head 50W I2V in Silver
T551 TAW	Trans STD Head 50W I2V in White
T553 ITSIO500	Track Adapter IO-I9V 500mA IOW in Silver
T553 ITWIO500	Track Adapter IO-I9V 500mA IOW in White

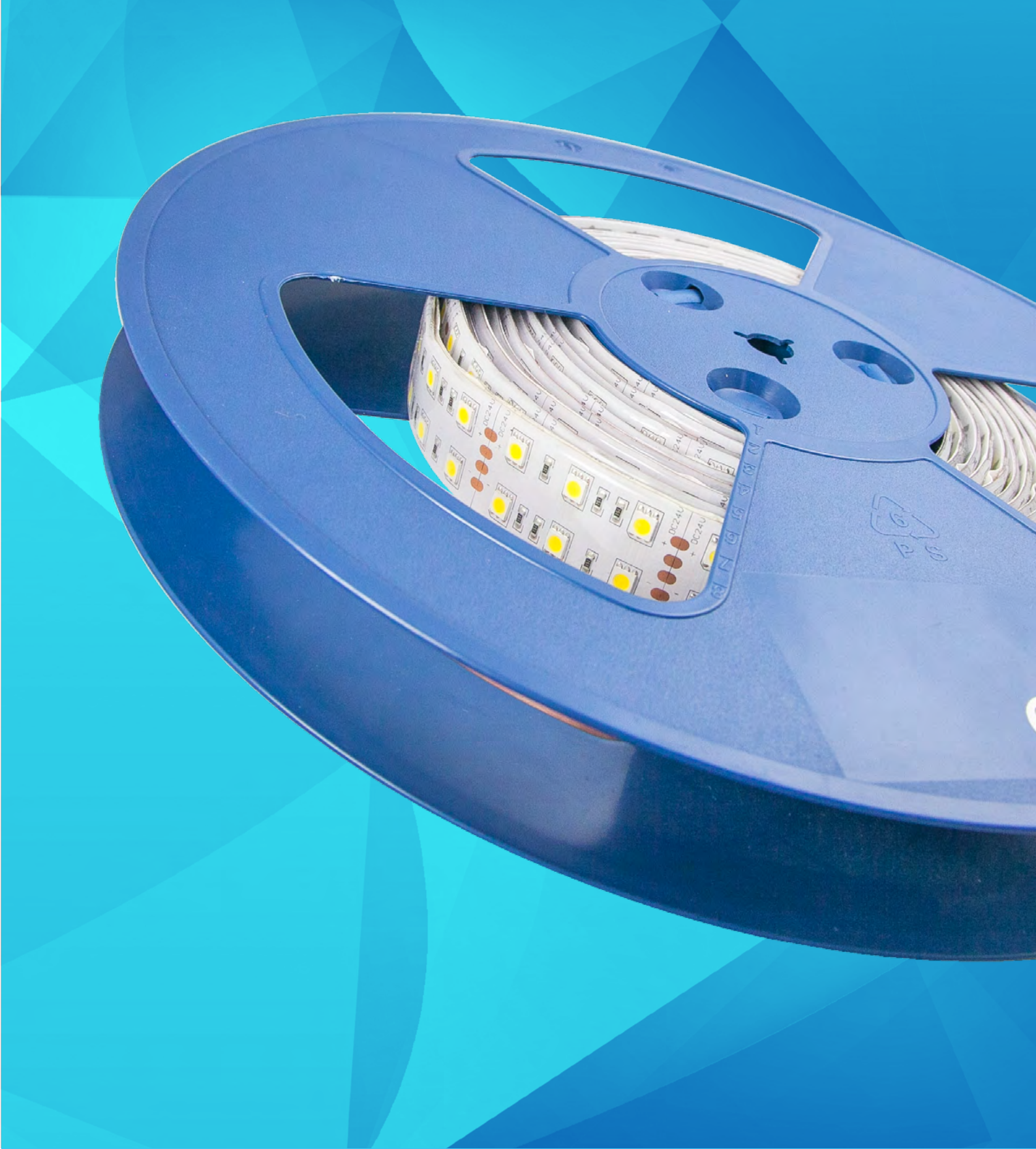
DO NOT RUN ELECTRONIC CONTROL GEAR AND WOUND CONTROL GEAR ON THE SAME CIRCUIT.

3 CIRCUIT TRACK 240V MAXIMUM 16 AMPS PER SYSTEM.

ENSURE MAINS CONNECTOR IS POSITIONED AT CORRECT END OF TRACK ACCORDING TO LOCATING KEYWAY OR POLARITY WILL BE REVERSED CAUSING DAMAGE TO ELECTRONIC TRANSFORMERS AND CONTROL GEAR.

THREE CIRCUIT**TRACK LENGTHS AND ACCESSORIES.**

CODE	DESCRIPTION
T410 BL	1m Track length in Black
T410 S	1m Track length in Silver
T410 W	1m Track length in White
T420 BL	2m Track length in Black
T420 S	2m Track length in Silver
T420 W	2m Track length in White
T430 BL	3m Track length in Black
T430 S	3m Track length in Silver
T430 W	3m Track length in White
T431 MLB	Earth Left in Black
T431 MLS	Earth Left in Silver
T431 MLW	Earth Left in White
T431 MRB	Earth Right in Black
T431 MRS	Earth Right in Silver
T431 MRW	Earth Right in White
T432 EB	End Cap in Black
T432 ES	End Cap in Silver
T432 EW	End Cap in White
T433 JB	Mini Joiner in Black
T433 JS	Mini Joiner in Silver
T433 JW	Mini Joiner in White
T433 SP	Joiner Strength Plate
T434 CS	Centre Mains Connector in Silver
T434 CW	Centre Mains Connector in White
T435 LIS	L Connector Earth Inside in Silver
T435 LIW	L Connector Earth Inside in White
T435 LOS	L Connector Earth Outside in Silver
T435 LOW	L Connector Earth Outside in White
T435 SP	L Connector Strength Plate
T436 TLS	T Connector Earth Left in Silver
T436 TLW	T Connector Earth Left in White
T436 TRS	T Connector Earth Right in Silver
T436 TRW	T Connector Earth Right in White
T436 SP	T Connector Strength Plate
T437 XS	X Connector in Silver
T437 XW	X Connector in White
T437 SP	X Connector Strength Plate
T439 FS	Flexi joiner Silver
T439 FW	Flexi joiner White
T441 AS	Mains Adapter Silver
T441 AW	Mains Adapter White
T443 SS	3m Cable Suspension in Silver
T443 SW	3m Cable Suspension in White
T444 RS	Rod Suspension in Silver
T444 RW	Rod Suspension in White
T446 ANCS	Adapter Non Conductor in Silver
T460 TAS	Trans adapter 60W in Silver
T460 TAW	Trans adapter 60W in White
T462 TJPS	Jack Point Trans 70W in Silver
T462 TJPW	Jack Point Trans 70W in White
T463 ITSIO500	Track adapter IO-I9V 500mA IOW Silver
T463 ITWIO500	Track adapter IO-I9V 500mA IOW White



LED INTERIOR
LINEAR & TAPE

LED1015 - LED1017**LINEAR SLIMLINE TILT**

Code	Watts	Lumens	Dimension
LED1015 WW	6W	504	L0.5m x W22 x D23mm
LED1016 WW	12W	1008	L1M x W22 x D23mm
LED1017 WW	18W	1512	L1.5M x W22. x D23mm

Diode: Constant Voltage 24V Harvatek Diodes
 Material: Aluminium & Plastic
 Max Run: 10m
 Driver: Sold Separately
 Available in: White in 3000K WW

LED1018 - LED1020**LINEAR STANDARD TILT**

Code	Watts	Lumens	Dimension
LED1018 WW / NW	9.5W	926	L0.5m x W38 x D23mm
LED1019 WW / NW	19W	1877	L1M x W38 x D23mm
LED1020 WW / NW	28.5W	2802	L1.5M x W38 x D23mm

Diode: Constant Voltage 24V Harvatek Diodes
 Material: Aluminium & Plastic
 Max Run: 10m
 Driver: Sold Separately
 Available in: White in 3000K WW or 4000K NW

LED1010 - 1013**LINEAR STRIP LINKABLE**

Code	Watts	Lumens	Voltage	Dimension
LED1010	5W	321	24V	300 x 20 x 15mm
LED1011	10W	642	24V	600 x 20 x 15mm
LED1012	15W	1025	24V	900 x 20 x 15mm
LED1013	20W	1200	24V	1200 x 20 x 15mm

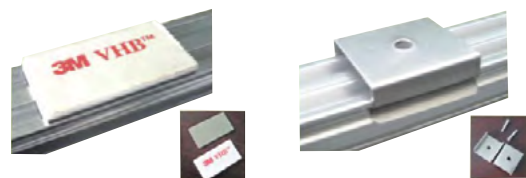
Diode: Constant Voltage 24V
 Material: Aluminium & Plastic
 Driver: Sold Separately
 Available in: White Frosted Cover (White in 3150K WW)
 White Frosted Cover (White in 4000k NW)
 Push button versions available

LED1010 FJ**LINEAR FLEXI JOINER**

Code	Voltage	Dimension
LED1010 FJ150	24V	150mm
LED1010 FJ300	24V	300mm
LED1010 FJ600	24V	600mm

NB: FEED REQUIRED EACH RUN

Code	Voltage	Dimension
LED1010 FEC	24V	1M



Attachment accessories available: Magnetic, Stick on or Clip On.

HALCYON LED TAPE ORDERING GUIDE

1. LED TAPE

LED Tape can be ordered by the Roll (5 - 15m) or in custom lengths. Specify Length needed if custom cut is required, please take into account the minimum cut increments unique to the tape you have selected. Halcyon 12V LED tape is suitable for use where 12V batteries are used e.g. Boats or Caravans. Non IP LED tape (LED1060) is not suitable for use in areas exposed to moisture or electrostatic charges. Exposure will significantly decrease lifespan. IP65 LED tape (LED1065) is not suitable for areas exposed to direct sunlight as UV can deteriorate the Resin coating.

2. FEED CABLE

Standard

LED1060 FE (NON IP) / LED1065 FE (IP65) / LED1068 FE (IP68)
Standard feed Cable 300mm tail c/w end caps

Custom

LED2WCA
NON IP/IP65/IP68 Custom feed \$/M c/w end caps (Specify length)

3. FACTORY JOIN

Specify if a factory join is required
E.g. LED1060J (90° Factory Join)

4. CONSTANT VOLTAGE DRIVERS

E.g. 20W LED Tape (20W per m) x 3.10m = 62W
so DRACV24 75W CV driver is most suitable.

5. CONTROLLERS & REPEATERS

Dimming Controllers are available for single colour, RGB and Four colour (RGB+) LED Tape.

If Dimming over 200W you will require a Driver, Controller and further Driver, Repeater combinations. Additional Drivers and Repeaters allow a single Controller to control multiple connections of high wattage LED Strips at the same time. If single runs of LED tape exceed 10m in length they should be fed from both ends to preventing voltage drop.

6. ALUMINIUM PROFILES

Aluminium Profiles are cut to specification at lengths up to 2.5m. Profiles can be cut at 45° for 90° corners. If LED Tape is being installed in a non visible area Halcyon still recommends using aluminium profile for heat dissipation.

7. DIFFUSER TYPES

Aluminium profiles come with the choice of Opal or Clear Frosted Lenses



LED TAPE RANGE



12V IP65

RESIN COVERED LED TAPE C/W ADHESIVE BACKING FOR INTERIOR & EXTERIOR USE

CODE	DIODES	DIMENSIONS	DIODES / M	WATTS / M	CUT INCREMENTS	LUMENS / M
12V WARM WHITE						
LEDIO65WWHI	Warm White 3000K	12 x D2mm	72 / m	17W	13.8mm	<1188lm / m
12V NATURAL WHITE						
LEDIO65NWHI	Natural White 4000K	12 x D2mm	72 / m	17W	13.8mm	<1188lm / m

12V IP68

SILICON COVERED LED TAPE C/W ADHESIVE BACKING FOR EXTERIOR USE

CODE	DIODES	DIMENSIONS	DIODES / M	WATTS / M	CUT INCREMENTS	LUMENS / M
12V WARM WHITE						
LEDIO68WWHI	Warm White 3000K	12 x D4mm	72 / m	17W	13.8mm	<1188lm / m
12V NATURAL WHITE						
LEDIO68NWHI	Natural White 4000K	12 x D4mm	72 / m	17W	13.8mm	<1188lm / m

24V NON IP

LED TAPE C/W ADHESIVE BACKING FOR INTERIOR USE ONLY

CODE	DIODES	DIMENSIONS	DIODES / M	WATTS / M	CUT INCREMENTS	LUMENS / M
24V WARM WHITE						
LEDIO60WW	Warm White 3000K	10 x D2mm	60 / m	5W	100mm	<330lm / m
LEDIO60WWI	Warm White 3000K	10 x D2mm	120 / m	10W	50mm	<660lm / m
LEDIO60WWH	Warm White 3000K	10 x D2mm	60 / m	15W	100mm	<990lm / m
LEDIO60WWH5	Warm White 3000K	8 x D2mm	240 / m	20W	25mm	<2240lm / m
LEDIO60WWH6	Warm White 3000K	20 x D2mm	240 / m	20W	50mm	<1440lm / m
LEDIO60WWH7	Warm White 3000K	20 x D2mm	120 / m	30W	50mm	<1980lm / m
LEDIO60WWH8	Warm White 3000K	20x D1.6mm	144 / m	46W	83mm	<3700lm / m
24V NATURAL WHITE						
LEDIO60NW	Natural White 4000K	10 x D2mm	60 / m	5W	100mm	<330lm / m
LEDIO60NWI	Natural White 4000K	10 x D2mm	120 / m	10W	50mm	<660lm / m
LEDIO60NWH	Natural White 4000K	10 x D2mm	60 / m	15W	100mm	<990lm / m
LEDIO60NWH5	Natural White 4000K	10 x D2mm	240 / m	20W	25mm	<2240lm / m
LEDIO60NWH6	Natural White 4000K	20x D2mm	240 / m	20W	50mm	<1440lm / m
LEDIO60NWH7	Natural White 4000K	20x D2mm	120 / m	30W	50mm	<1980lm / m
LEDIO60NWH8	Natural White 4000K	20x D2mm	144 / m	46W	83mm	<3700lm / m
24V SINGLE COLOUR						
LEDIO60B	Blue	10 x D2mm	60 / m	5W	100mm	<40lm / m
LEDIO60G	Green	10 x D2mm	60 / m	5W	100mm	<130lm / m
LEDIO60R	Red	10 x D2mm	60 / m	5W	100mm	<50lm / m
LEDIO60Y	Yellow	10 x D2mm	60 / m	5W	100mm	<140lm / m
24V RGB						
LEDIO60RGB	RGB	10xD2mm	60 / m	15W	100mm	<990lm / m
24V FOUR COLOUR						
LEDIO60RGBW	Warm White 3000K & RGB	12 x D2mm	72 / m	18W	166mm	<756lm / w
LEDIO60RGBN	Natural White 4000K & RGB	12 x D2mm	72 / m	18W	166mm	<756lm / w

CODE	DIODES	DIMENSIONS	DIODES / M	WATTS / M	CUT INCREMENTS	LUMENS / M
24V WARM WHITE						
LEDIO65WW	W. White	10 x D2mm	60 / m	5W	100mm	<330lm / m
LEDIO65WWI	W.White	10 x D2mm	120 / m	10W	50mm	<660lm / m
LEDIO65WWH	W.White	10 x D2mm	60 / m	15W	100mm	<990lm / m
LEDIO65WW2	W.White	15 x D2mm	240 / m	20W	50mm	<1560lm / m
LEDIO65WWH2	W.White	15 x D2mm	240 / m	30W	50mm	<2640lm / w
24V NATURAL WHITE						
LEDIO65NW	Nat.White	10 x D2mm	60 / m	5W	100mm	<330lm / m
LEDIO65NWI	Nat.White	10 x D2mm	120 / m	10W	50mm	<660lm / m
LEDIO65NWH	Nat. White	10 x D2mm	60 / m	15W	100mm	<990lm / m
LEDIO65NW2	Nat.White	15 x D2mm	240 / m	20W	50mm	<1560lm / m
LEDIO65NWH2	Nat.White	15 x D2mm	240 / m	30W	50mm	<2640lm / w
24V SINGLE COLOUR						
LEDIO65B	Blue	10 x D2mm	60 / m	5W	100mm	<40lm / m
LEDIO65G	Green	10 x D2mm	60 / m	5W	100mm	<130lm / m
LEDIO65R	Red	10 x D2mm	60 / m	5W	100mm	<50lm / m
LEDIO65Y	Yellow	10 x D2mm	60 / m	5W	100mm	<140lm / m
24V RGB						
LEDIO65RGB	RGB	10 x D2mm	60 / m	15W	100mm	<990lm / m
24V FOUR COLOUR						
LEDIO65RGBW	Warm White 3000K & RGB	12 x D2mm	72 / m	18W	166mm	<756lm / m
LEDIO65RGBN	Natural White 4000K & RGB	12 x D2mm	72 / m	18W	166mm	<756lm / m

24V IP68

SILICON COVERED LED TAPE C/W ADHESIVE BACKING FOR EXTERIOR USE

CODE	DIODES	DIMENSIONS	DIODES / M	WATTS / M	CUT INCREMENTS	LUMENS / M
24V WARM WHITE						
LEDIO68WW	Warm White 3000K	12 x D4mm	60 / m	5W	100mm	<330lm / m
LEDIO68WWH	Warm White 3000K	12 x D4mm	60 / m	15W	100mm	<990lm / m
LEDIO68WWH2	Warm White 3000K	12 x D4mm	120 / m	9.6W	50mm	<660lm / m
LEDIO68WWH3	Warm White 3000K	12 x D4mm	60 / m	14.4W	100mm	<1000lm / m
LEDIO68WWH4	Warm White 3000K	24 x D4mm	120 / m	28.8W	100mm	<1800lm / m
24V NATURAL WHITE						
LEDIO68NW	Natural White 4000K	12 x D4mm	60 / m	5W	100mm	<330lm / m
LEDIO68NWH	Natural White 4000K	12 x D4mm	60 / m	15W	100mm	<990lm / m
24V SINGLE COLOUR						
LEDIO68B	Blue	12 x D4mm	60 / m	5W	100mm	<40lm / m
LEDIO68G	Green	12 x D4mm	60 / m	5W	100mm	<130lm / m
LEDIO68R	Red	12 x D4mm	60 / m	5W	100mm	<50lm / m
LEDIO68Y	Yellow	12 x D4mm	60 / m	5W	100mm	<140lm / m
24V RGB						
LEDIO68RGB	RBG	12 x D4mm	60 / m	15W	100mm	<330lm / m

ACCESSORIES

NON IP

CODE	DESCRIPTION
LEDIO60 J	Factory Join
LEDIO60 FE	Feed Cable 300mm tail soldered to board with End Caps
LED2WCA	Custom Feed \$/m

IP65

CODE	DESCRIPTION
LEDIO65 J	Factory Join
LEDIO65 FE	Feed Cable 300mm tail soldered to board with End Caps
LED2WCA	Custom Feed \$/m

IP68

CODE	DESCRIPTION
LEDIO68 J	Factory Join
LEDIO68 FE	Feed Cable 300mm tail soldered to board with End Caps
LED2WCA	Custom Feed \$/m
LEDIO68CL	Mounting clip for IP68 Tape

LPRO 20



SHALLOW SURFACE MOUNT

Dimensions: W18mm x H8mm
LPRO20 DF - Clear Frosted Diffuser
LPRO20 DO - Opal Diffuser

LPRO 29



MED SURFACE MOUNT

Dimensions: W18mm x H16mm
LPRO29 DF - Clear Frosted Diffuser
LPRO29 DO - Opal Diffuser

LPRO 26



MED RAISED DIFFUSER C/W CABLE TRAY

Dimensions: W20mm x H20mm
LPRO26 DF - Clear Frosted Diffuser
LPRO26 DO - Opal Diffuser

LPRO 39



MED SURFACE MOUNT C/W HEAT SINK

Dimensions: W16mm x H15mm
LPRO39 DF - Clear Frosted Diffuser
LPRO39 DO - Opal Diffuser

LPRO 21



SHALLOW RECESS WITH RIM

Dimensions: W18mm x H7mm
3mm Lip
LPRO21 DF - Clear Frosted Diffuser
LPRO21 DO - Opal Diffuser

LPRO 23



MED RECESS WITH RIM

Dimensions: W18mm x H15mm
3mm Lip
LPRO23 DF - Clear Frosted Diffuser
LPRO23 DO - Opal Diffuser

LPRO 27



CURVED DIFFUSER C/W CABLE TRAY

Dimensions: W19mm x H20mm
LPRO27 DF - Clear Frosted Diffuser
LPRO27 DO - Opal Diffuser

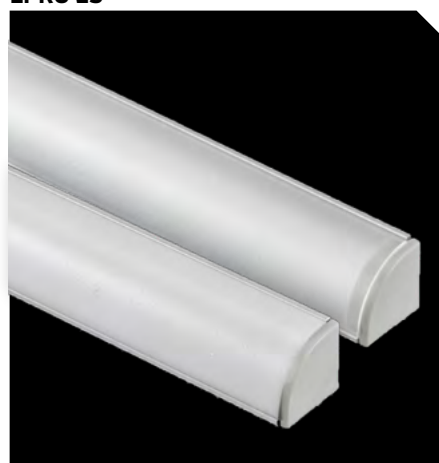
LPRO 24



CORNER MOUNT SQUARE DIFFUSER

Dimensions: W16mm x H16mm
LPRO24 DF - Clear Frosted Diffuser
LPRO24 DO - Opal Diffuser

LPRO 25



CORNER MOUNT CURVED DIFFUSER

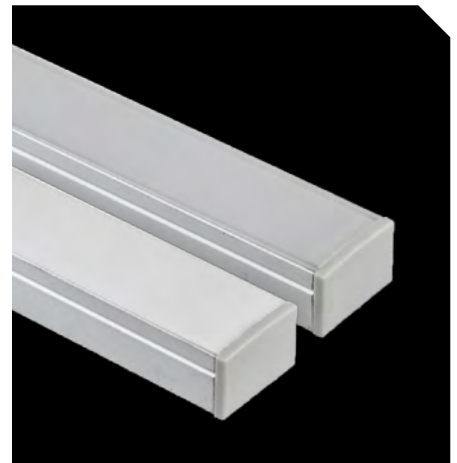
Dimensions: W18mm x H18mm
LPRO25 DF - Clear Frosted Diffuser
LPRO25 DO - Opal Diffuser

LPRO 31**MED SHALLOW RECESS**

Dimensions: W23mm x H11mm
4mm Lip
LPRO31 DF - Clear Frosted Diffuser
LPRO31 DO - Opal Diffuser

LPRO 32**MED SHALLOW SURFACE MOUNT**

Dimensions: W23mm x H11mm
LPRO32 DF - Clear Frosted Diffuser
LPRO32 DO - Opal Diffuser

LPRO 40**MED SURFACE MOUNT C/W HEAT SINK**

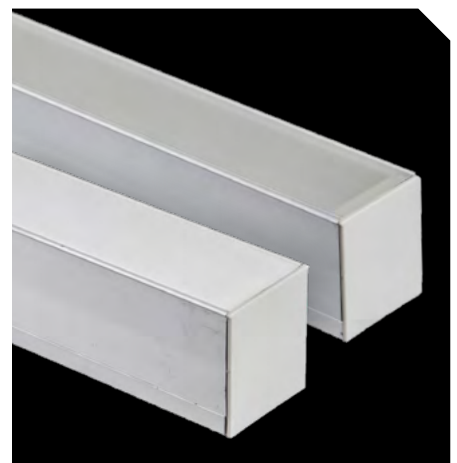
Dimensions: W24mm x H10mm
LPRO40 DF - Clear Frosted Diffuser
LPRO40 DO - Opal Diffuser

LPRO 34**XL SURFACE MOUNT**

Dimensions: W35mm x H35mm
LPRO34 DF - Clear Frosted Diffuser
LPRO34 DO - Opal Diffuser

LPRO 35**XL SIDE EMITTING C/W CABLE TRAY**

Dimensions: W35mm x H43mm
LPRO35 DF - Clear Frosted Diffuser
LPRO35 DO - Opal Diffuser

LPRO 36**XL TOP EMITTING C/W CABLE TRAY**

Dimensions: W35mm x H43mm
LPRO36 DF - Clear Frosted Diffuser
LPRO36 DO - Opal Diffuser

LPRO 37**XL CORNER MOUNT SQUARE DIFFUSER**

Dimensions: W43mm x H35mm
LPRO37 DF - Clear Frosted Diffuser
LPRO37 DO - Opal Diffuser

LPRO 38**XL CORNER MOUNT CURVED DIFFUSER**

Dimensions: W40mm x H22mm
LPRO38 DF - Clear Frosted Diffuser
LPRO38 DO - Opal Diffuser

LPRO 33**XL RECESS**

Dimensions: W35mm x H35mm
10mm Lip
LPRO33 DF - Clear Frosted Diffuser
LPRO33 DO - Opal Diffuser

LPRO 42



XXL RECESSED C/W HEAT SINK

Dimensions: W50mm x H32mm

7mm Lip

LPRO4.2 DF - Clear Frosted Diffuser

LPRO4.2 DO - Opal Diffuser

DRASCDIM8905

MASTER CONTROLLER



PRODUCT FEATURES

- Designed for single colour LED.
- Three built in pre-set mode functions plus adjustable brightness and speed functions.
- Total maximum output is 18A.
- Equipped with IR remote controller.
- Easy installation and user friendly interface.

TECHNICAL SPECIFICATIONS

Prim: 5-24V Sec: 5-24V DC (auto switching)

Dim: L145 x W80 x D30mm

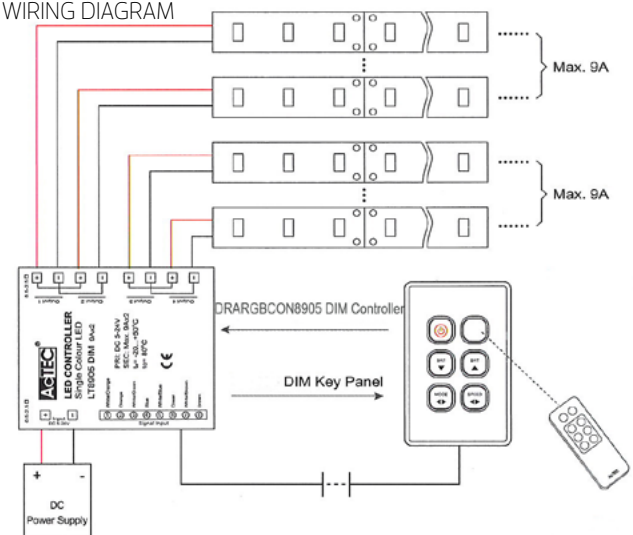
Watts: (24V x 9A) x 2CH - 432W

Voltage: Constant Voltage

C/W Actec 6 Gang Key Panel & Remote Control
(Key Panel surround available from Electrical Wholesalers)

Suits: Both 12V & 24V Tape

WIRING DIAGRAM



DRASCDIMRP8904 REPEATER CONTROLLER



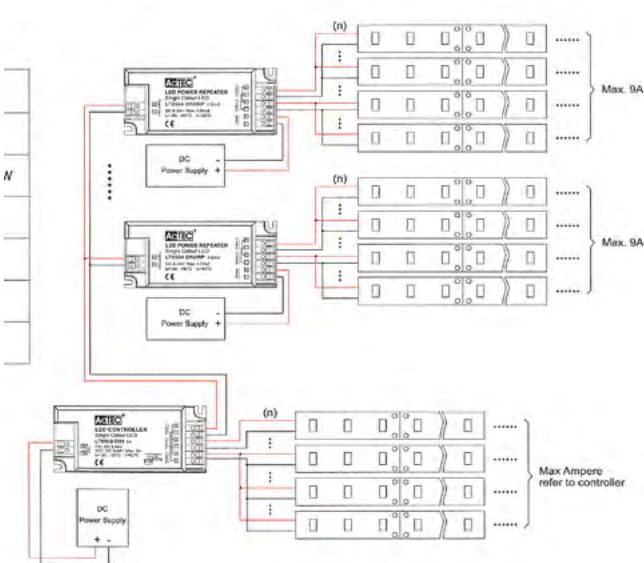
TECHNICAL SPECIFICATIONS

Prim: 5-24V Sec: 5-24V DC (auto switching)
 Dim: L105 x W46 x D28mm
 Watts: (24V x 3A) x 3CH - 216W
 Voltage: Constant Voltage
 Suits: Both 12 & 24V Tape
 NB: Dimmable

PRODUCT FEATURES

- Designed for extending single colour LED strip lights.
- Repeater allows one single colour controller to control multiple connections of LED strips.
- Each Repeater provides single colour two channel output. Each channel has a maximum output current of 4.5A.

WIRING DIAGRAM



DNSCDIMCON 0-10V DIMMING CONTROLLER



TECHNICAL SPECIFICATIONS

Supply voltage: DC5~24V
 Output: 0-10v dimmer signal
 Connect mode: Common anode
 Output current: $\leq 8A$
 Output power: 12V < 96W or 24V < 192W
 External dimension: L108 x W42 x H27 mm

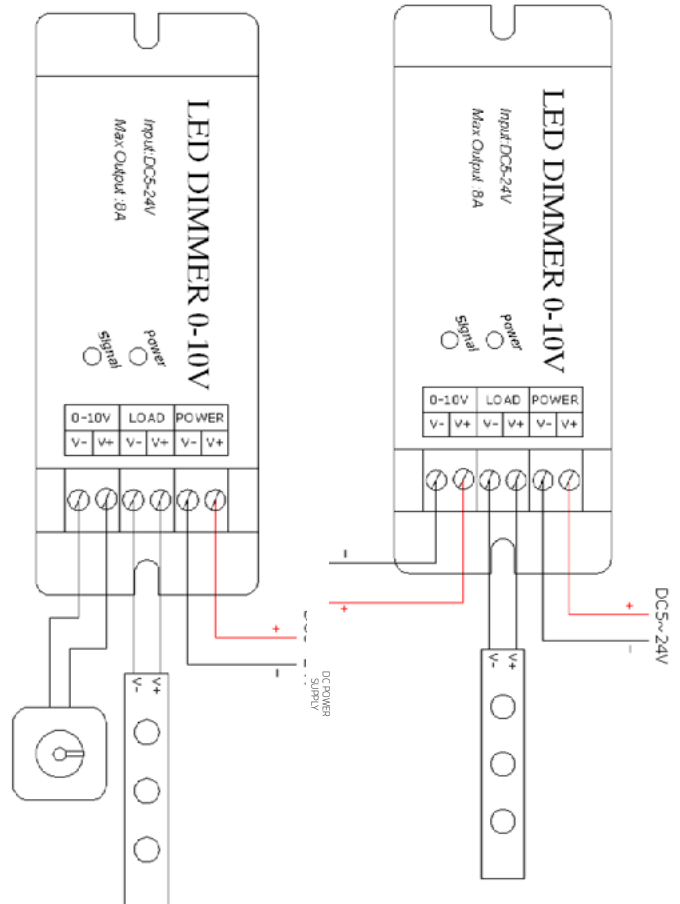
COMPATIBLE WITH DIMROCCLIIIIO



TYPICAL APPLICATIONS

1. CONNECT POTENTIOMETER TO DIMMING (R_{MAX}>100K Ω)

2. EXTERNAL CONNECTION 0-10V VOLTAGE DIMMING



DRARGBCON8905 RGB MASTER CONTROLLER

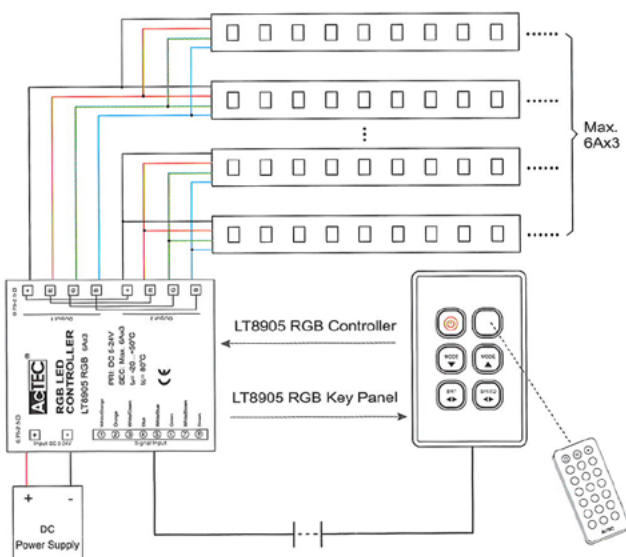
TECHNICAL SPECIFICATIONS

Prim: 5-24V Sec: 5-24V DC (auto switching)
 Dim: L145 x W80 x D30mm
 Watts: (24V x 6A) x 3CH - 432W
 Voltage: Constant Voltage
 C/W Actec 6 Gang Key Panel & Remote Control
 (Key Panel surround available from Electrical Wholesalers)
 Suits: Both 12V & 24V Tape

PRODUCT FEATURES

- Designed for RGB LED colour variations.
- 18 Built in mode functions with adjustable brightness and speed.
- Independent control of all three RGB channels (each channel has a maximum current of 6A).
- Comes complete with IR remote control.
- When used in conjunction with power repeaters, control can be extended indefinitely.
- Wall mount for easy access with user friendly layout.
- Two outputs

WIRING DIAGRAM

**DRARGBCON8901** RGB MASTER CONTROLLER

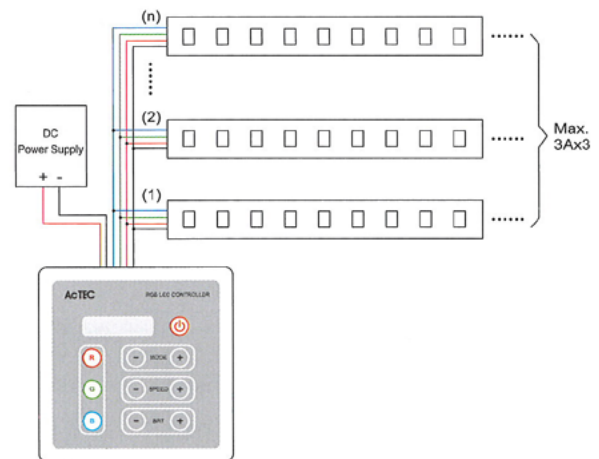
TECHNICAL SPECIFICATIONS

Prim: 5-24V Sec: 5-24V DC (auto switching)
 Dim: L86 x W86 x D28mm
 Watts: (24V x 3A) x 3CH - 216W
 Voltage: Constant Voltage
 C/W Complete with Remote
 Suits: Both 12V and 24V Tape

PRODUCT FEATURES

- 18 Built in mode functions with adjustable brightness and speed.
- Independent control of all three RGB channels (each channel has a maximum current of 3A).
- Comes complete with IR remote control.
- When used in conjunction with power repeaters, control can be extended indefinitely.
- Wall mount for easy access with user friendly layout.

WIRING DIAGRAM



DRARGBCONRP8904 RGB REPEATER



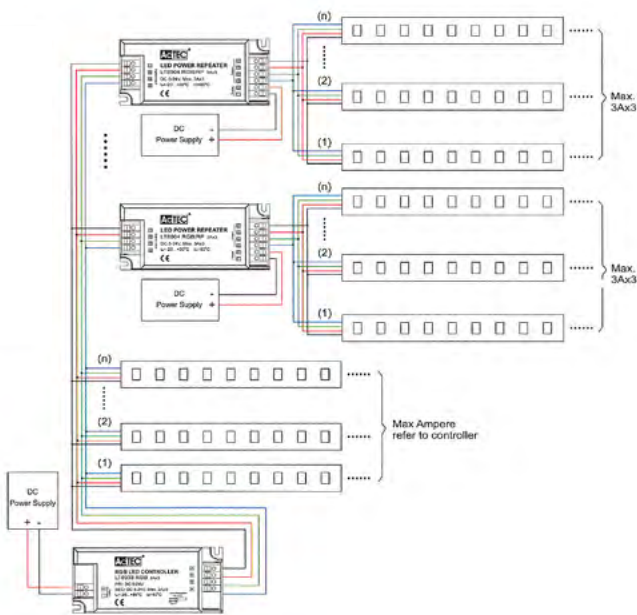
TECHNICAL SPECIFICATIONS

Dimensions: 105mm x 46mm x 28mm
 Max Output Current: 3A/Channel x 3 Channels
 Input/Output Voltage: 5-24V DC (Auto Switch)
 Max Output Power (at 24V): (24V x 3A) x 3CH = 216W
 Fixing Centre: 97mm

PRODUCT FEATURES

- Designed for extending RGB LED Strip lights.
- Allows for one RGB Controller to control for multiple connections of LED Strips.
- Each repeater provides RGB Three channel output.

WIRING DIAGRAM

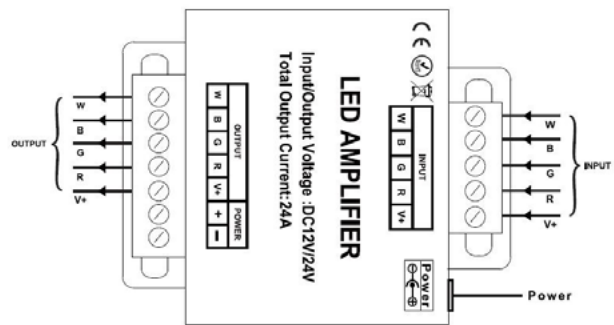


DNRGBWRP FOUR COLOUR AMPLIFIER



AMPLIFIER SPECS

Dimensions: 82mm x 65mm x 24mm
 Control mode: Synchro control in Series
 Working Voltage: DC12V - 24V
 Max Load Control Current: 6A/circuit
 Max Wattage: 576W
 Standby Power Consumption: 0.5W
 Output/Input connecting mode: Common anode



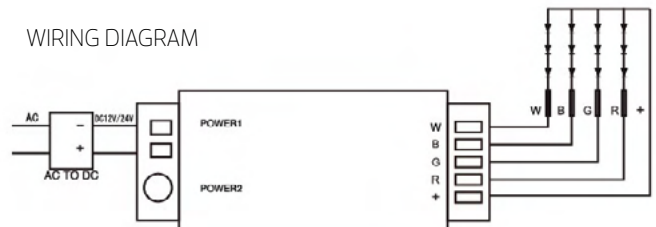
DNRGBWCONDIAL FOUR COLOUR CONTROL



CONTROL SPECS

Dimensions: 85 x 45 x 23mm
 Working Voltage: 12V / 24V
 Control: RGBW four channels
 Max load per channel: 6A
 Max Wattage: 12V 288W / 24V 576W
 Output Connection: Common anode
 Telecontrol distance: 20-30 meters
 Programs: 20 Unique programs

WIRING DIAGRAM



DNCONTCHRGB RGB & RGBW WALL CONTROL

FITS STANDARD NZ
FLUSH BOX



TECHNICAL SPECIFICATIONS

Working temperature: -20-60 C
 Supply voltage: DC12-24V
 Output voltage: DC12-24V
 Output: 3 channels
 Connection mode: common anode
 Dimensions: L74 x W120 x H41.8mm
 Static power consumption: <1W
 Output current: <4A (each channel)
 Output power: 12V<144W, 24V<288W

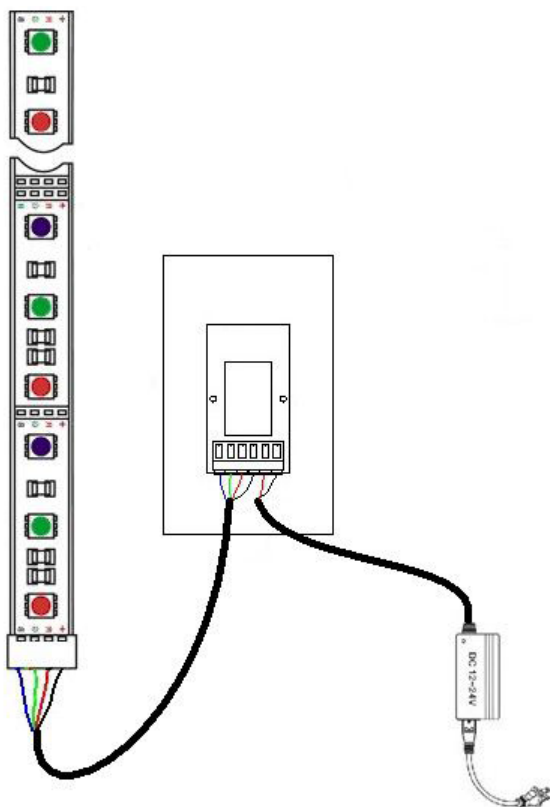
CODE:

RGB WALL CONTROL

DNCONTCHRGBB (BLACK HOUSING)
 DNCONTCHRGBW (WHITE HOUSING)

FOUR COLOUR WALL CONTROL

DNCONTCHRGBWB (BLACK HOUSING)
 DNCONTCHRGBWW (WHITE HOUSING)



DNRGBRP

RGB REPEATER 24V DC 3 X 6A

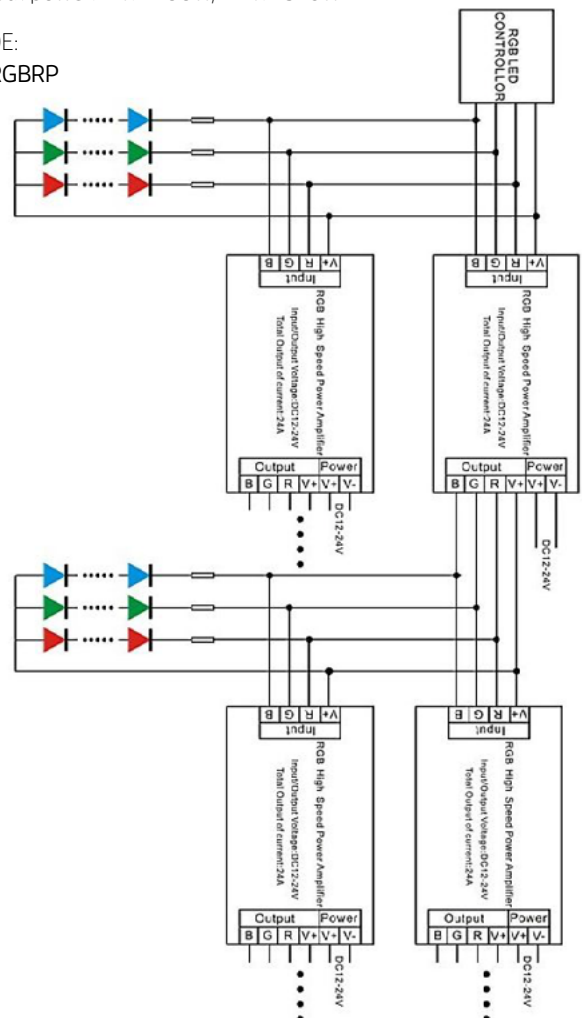


TECHNICAL SPECIFICATIONS

Working temperature: -20-60 C
 Working voltage: DC12V-24V
 Signal voltage: DC12V-24V
 Input signal: PWM dimming signal
 Dimming range: 0.1%-100%
 External dimension: L145mm x W76.8mm x H20.5mm
 Connect terminal: screw connect mode, terminal caliber 7mm
 Connect mode: common anode
 Output current: <24A
 Output power: 12V:<288W, 24V:<576W

CODE:

DNRGBRP





LED INTERIOR
CONTROL GEAR



Blue / Dimmable Constant Current
Wire In Series



Green / Non Dimmable Constant Current
Wire In Series

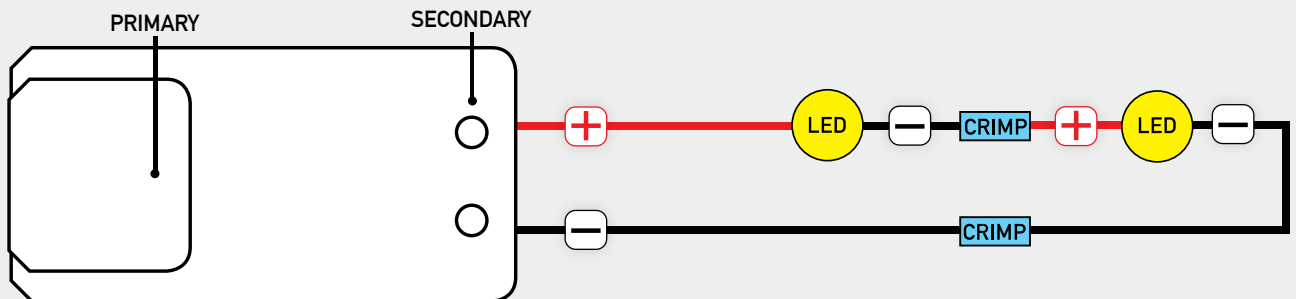


Red / Constant Voltage
Wire In Parallel

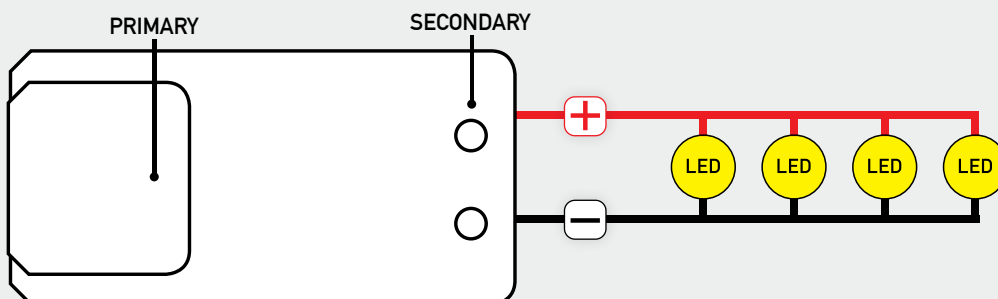


Pink / Electronic Transformer
12V AC

WIRING IN SERIES DIAGRAM



WIRING IN PARALLEL DIAGRAM



DRMACC350 4W



Prim: 240V Sec: 2-12V DC
 Dim: 38 x 27 x D21mm
 Watts: 1-4W
 Voltage: 350mA Constant Current
 NB: Pre wired

DRACC350 6W



Prim: 240V Sec: 2-18 DC
 Dim: L80 x W39 x D22mm
 Watts: 3-6W
 Voltage: 350mA Constant Current
 NB: Extra Large Primary Terminals

DRACC350 12W



Prim: 240V Sec: 2-34V DC
 Dim: L98 x W39 x D22mm
 Watts: 1-12W
 Voltage: 350mA Constant Current
 NB: Extra Large Primary Terminals

DRACC350 20W



Prim: 240V Sec: 2-58V DC
 Dim: L113 x W44 x D28mm
 Watts: 1-20W
 Voltage: 350mA Constant Current
 NB: Extra Large Primary Terminals

DRACC500 20W



Prim: 220-240V Sec: 2-40V DC
 Dim: L113 x W44 x D28mm
 Watts: 1-20W
 Voltage: 500mA Constant Current
 NB: Extra Large Primary Terminals

DRMACC700 4W



Prim: 240V Sec: 2-6V DC
 Dim: 38 x 27 x D21mm
 Watts: 1-4W
 Voltage: 700mA Constant Current
 NB: Pre wired

DRACC700 12W



Prim: 240V Sec: 2-34V DC
 Dim: L98 x W39 x D22mm
 Watts: 1.5-12W
 Voltage: 700mA Constant Current
 NB: Extra Large Primary Terminals

DRACC700 21W



Prim: 240V Sec: 2-29V DC
 Dim: L113 x W44 x D28mm
 Watts: 1-21W
 Voltage: 700mA Constant Current
 NB: Extra Large Primary Terminals

DRACC700 40W



Prim: 240V Sec: 2-57V DC
 Dim: L160 x W53 x D22mm
 Watts: 14-40W
 Voltage: 700mA Constant Current
 NB: Extra Large Primary Terminals

DRTRCC900 42W



Prim: 240V Sec: 2-47V DC
 Dim: L160 x W83 x D35mm
 Watts: 42W
 Voltage: 900mA Constant Current
 NB: Extra Large Primary Terminals

DRPHCC950 50W



Prim: 240V
 Watts: 50W
 Voltage: 950mA Constant Current
 NB: Extra Large Primary Terminals

DRDACC260 I2W DIMMABLE

Prim: 240V Sec: 24-46V DC
 Dim: L113 X W44 X D28mm
 Watts: 7-12W
 Voltage: 260mA Constant Current
 NB: Primary Dimmed

DRDACC350 I2W DIMMABLE

Prim: 240V Sec: 18-35V DC
 Dim: L113 x W44 x D28mm
 Watts: 6-12W
 Voltage: 350mA Constant Current
 NB: Primary Dimmed

DRDACC350 I8W DIMMABLE

Prim: 240V Sec: 15-52V DC
 Dim: L113 x W44 x D28mm
 Watts: 6-18W
 Voltage: 350mA Constant Current
 NB: Primary Dimmed

DRDACC350 25W DIMMABLE

Prim: 240V Sec: 36-72V DC
 Dim: L113 x W44 x D28mm
 Watts: 13-25W
 Voltage: 350mA Constant Current
 NB: Primary Dimmed

DRDACC500 I2W DIMMABLE

Prim: 240V Sec: 12-24V DC
 Dim: L98 x W39 x D22mm
 Watts: 6-12W
 Voltage: 500mA Constant Current
 NB: Primary Dimmed

DRDACC500 22W DIMMABLE

Prim: 240V Sec: 20-44V DC
 Dim: L98 x W39 x D22mm
 Watts: 10-22W
 Voltage: 500mA Constant Current
 NB: Primary Dimmed

DRDACC700 I2W DIMMABLE

Prim: 220-240V Sec: 9-18V DC
 Dim: L113 x W44 x D28mm
 Watts: 6-12W
 Voltage: 700mA Constant Current
 NB: Primary Dimmed

DRDACC700 22W DIMMABLE

Prim: 220-240V Sec: 14-32V DC
 Dim: L113 x W44 x D28mm
 Watts: 10-22W
 Voltage: 700mA Constant Current
 NB: Primary Dimmed

DRDACC700 36W DIMMABLE

Prim: 240V Sec: 24-52V DC
 Dim: L166 x W52 x D24mm
 Watts: 17-36W
 Voltage: 700mA Constant Current
 NB: Primary Dimmed

**DRDDACC 40W DIMMABLE**

DALI DIMMABLE 350mA / 500mA / 700mA

Prim: 240V
 Sec: 350mA = 10 - 80V DC
 500mA = 10 - 80V DC
 700mA = 10 - 60V DC
 Dim: L280 x W35 x D23mm
 Watts: 350mA = 3.5 - 28W
 500mA = 5 - 40W
 700mA = 7 - 72W

DRACVI2 20W

I2V CONSTANT VOLTAGE

Prim: 240V Sec: I2V DC
 Dim: L113 x W44 x D28mm
 Watts: 0-20W

DRACVI2 36W

I2V CONSTANT VOLTAGE

Prim: 240V Sec: I2V DC
 Dim: L166 x W52 x D24mm
 Watts: 0-36W

DRACVI2 50W

I2V CONSTANT VOLTAGE

Prim: 240V Sec: I2V DC
 Dim: L184 x W61 x D32mm
 Watts: 0-50W

DRHCVI2 60W

I2V CONSTANT VOLTAGE

Prim: 240V Sec: I2V DC
 Dim: L180 x W88 x D35.5mm
 Watts: 0-60W

DRACVI2 150W IP67

I2V CONSTANT VOLTAGE

Prim: 240V Sec: I2V DC
 Dim: L222 x W70 x D40 mm
 Watts: 0-150W

DRACVI2 200W IP67

I2V CONSTANT VOLTAGE

Prim: 240V Sec: I2V DC
 Dim: 249 x 70 x D40mm
 Watts: 0-200W

DRACV24 20W

24V CONSTANT VOLTAGE

Prim: 240V Sec: 24V DC
 Dim: L113 x W44 x D28mm
 Watts: 0-20W

DRACV24 36W

24V CONSTANT VOLTAGE

Prim: 240V Sec: 24V DC
 Dim: L166 x W52 x D24mm
 Watts: 0-36W

DRACV24 50W

24V CONSTANT VOLTAGE

Prim: 240V Sec: 24V DC
 Dim: L184 x W61 x D32mm
 Watts: 0-50W

DRACV24 75W

24V CONSTANT VOLTAGE

Prim: 240V Sec: 24V DC
 Dim: L184 x W61 x D32mm
 Watts: 0-75W

DRACV24 150W IP67

24V CONSTANT VOLTAGE

Prim: 240V Sec: 24V DC
 Dim: L222 x W70 x D40 mm
 Watts: 0-150W

DRACV24 200W IP67

24V CONSTANT VOLTAGE

Prim: 240V Sec: 24V DC
 Dim: L249 x W70 x D40 mm
 Watts: 0-200W

DRDINACC350 20W

LED DRIVER - DINRAIL DIMMABLE 20W

Prim: 240V Sec: 25-56V DC
 Dim: L82 x 36 x 62mm
 Voltage: 350mA Constant Current
 Watts: 9-20W

DRDINACC500 20W

LED DRIVER - DINRAIL DIMMABLE 20W

Prim: 240V Sec: 20-40V DC
 Dim: L82 x 36 x 62mm
 Voltage: 500mA Constant Current
 Watts: 10-20W

DRDINACC700 20W

LED DRIVER - DINRAIL DIMMABLE 20W

Prim: 240V Sec: 14-29V DC
 Dim: L82 x 36 x 62mm
 Voltage: 700mA Constant Current
 Watts: 10-20W

DRLB30024 8W

LED DRIVER BATTERY FEED - 24V CV

Prim: 10-30V Sec: 24V DC
 Dim: 40mm x 38mm x D20mm
 Watts: 1-8W
 Voltage: Constant Voltage

DRBCC35012 16W

DRBCC35012 16W BATTERY 12V 350mA CC

Prim: 12V Sec: 350mA DC
 or 24-36V Sec: 350mA DC
 Dim: L85 x W40.4 x D22mm
 Watts: 6.3-16.8W
 Voltage: Constant Current Driver

DRBCC3502436 16W

DRBCC3502436 16W BATTERY 24V 350mA CC

Prim: 12V Sec: 350mA DC
 or 24-36V Sec: 350mA DC
 Dim: L85 x W40.4 x D22mm
 Watts: 10.5 - 16.8W
 Voltage: Constant Current Driver

ULTRA70W

Transformer Electronic

Pri: 240v Sec: 11.5V AC 0-70W
 Dim: 113 x 44 x 28mm
 Watts: 0-70W
 NB: Extra Large Primary Terminals

ULTRA105W

Transformer Electronic

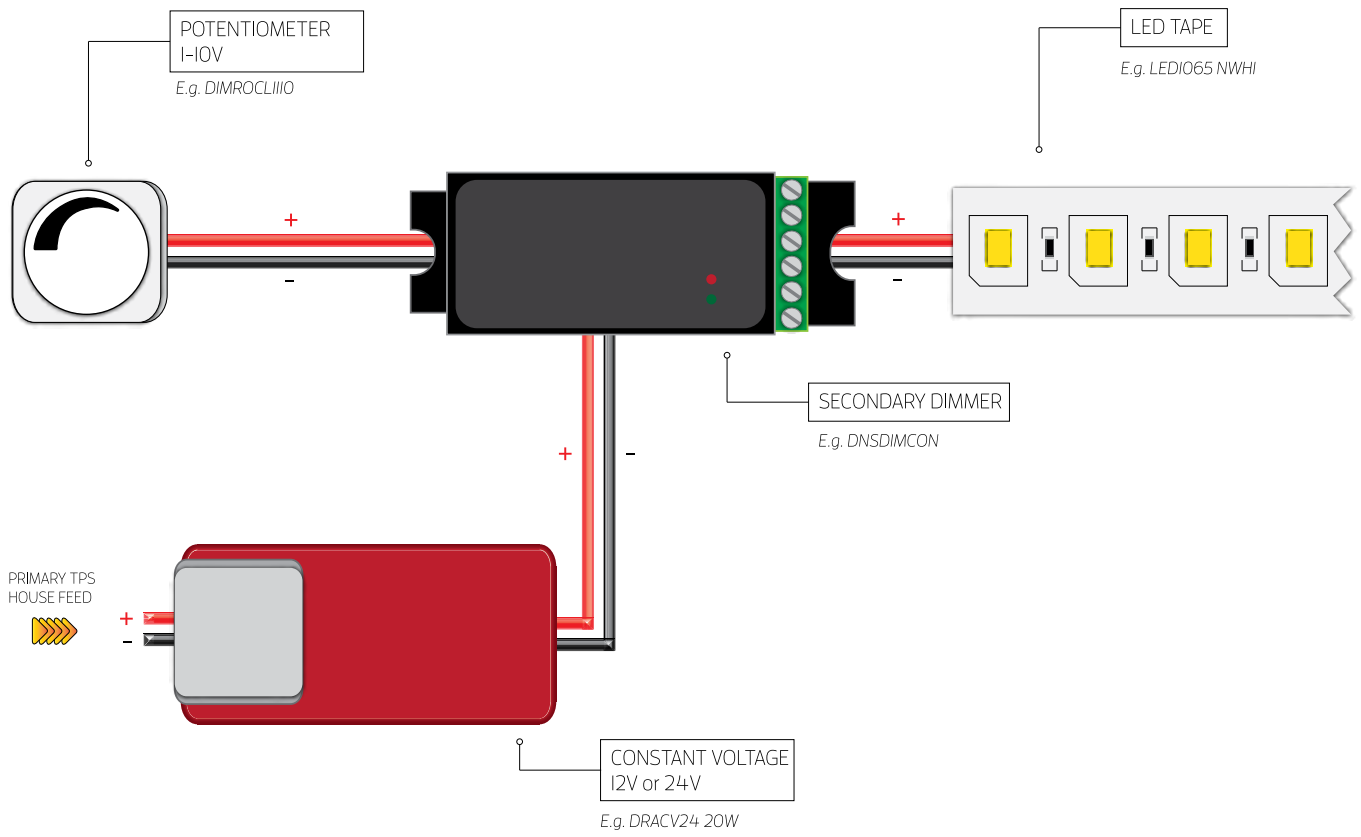
Pri: 240v Sec: 11.5V AC 0-105W
 Dim: 113 x 44 x 28
 Watts: 0-105W
 NB: Extra Large Primary Terminals

ULTRA70 & 105 ARE SUITABLE FOR USE WITH 12V AC/DC LED LAMPS



LED INTERIOR
DIMMERS & MODULES

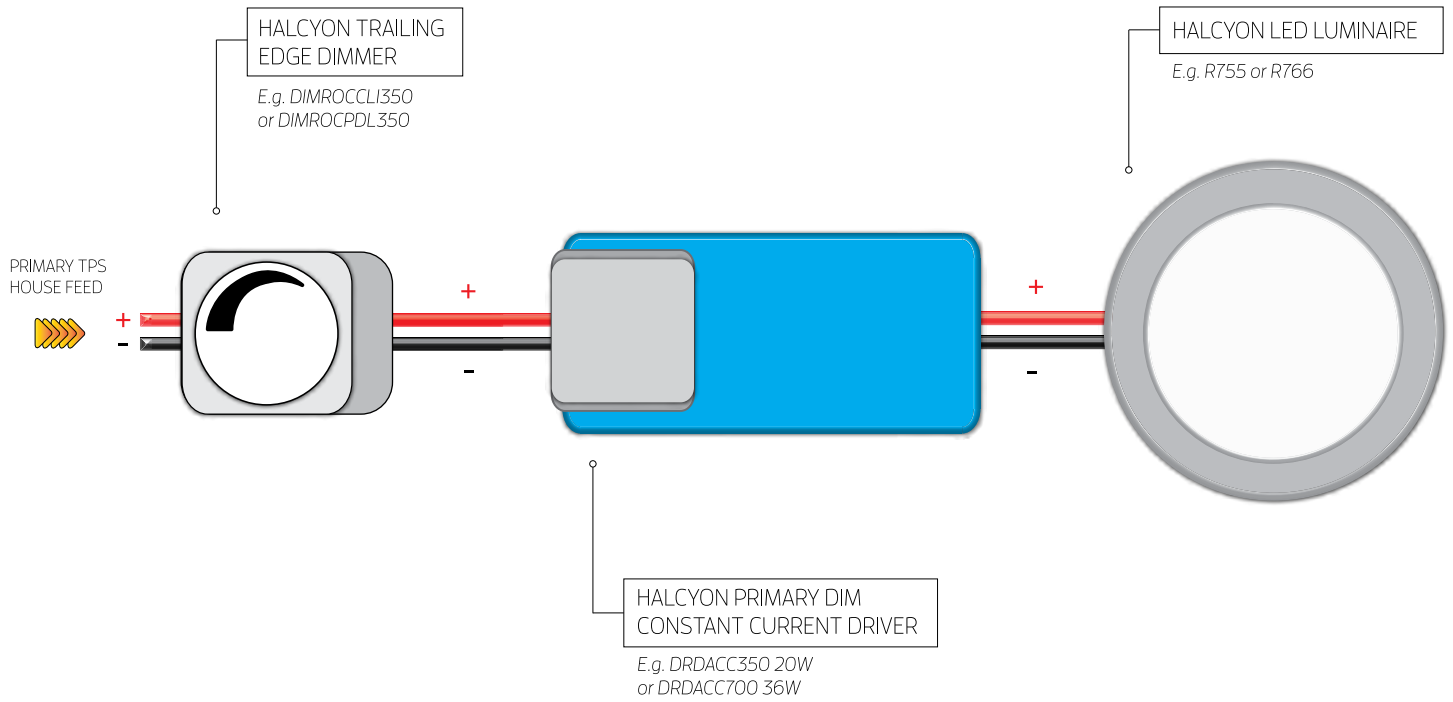
I-IOV POTENTIOMETER WIRING DIAGRAM



Dimensions	ECG Max Control	Input Current
L25.5 x W21.5 x H35mm	30	40mA

- Dimming Range 1% - 100%
- Compatible with Halcyon I - IOV Dimmable Driver Controls.
- ECG generated control power, no extra power source needed.
- Compatible with Clipsal and HPM switch-plates.

TRAILING EDGE WIRING DIAGRAM



DIMROCLI350

DIMMER TO SUIT CLIPSAL



Dimensions	Load Wattage	Input Voltage
L23 x W23 x H55mm	10-350W 1.8A MAX	240V AC 50Hz

- Smooth and trouble free dimming with Halcyon Drivers and Transformers.
- Compact design compatible with most switchplates and accessories.
- No Neutral required.
- Soft start.
- Suitable for 1 way or 2 way operation.
- Overheat Protection.
- Trailing Edge Dimming method

DIMROPDL350

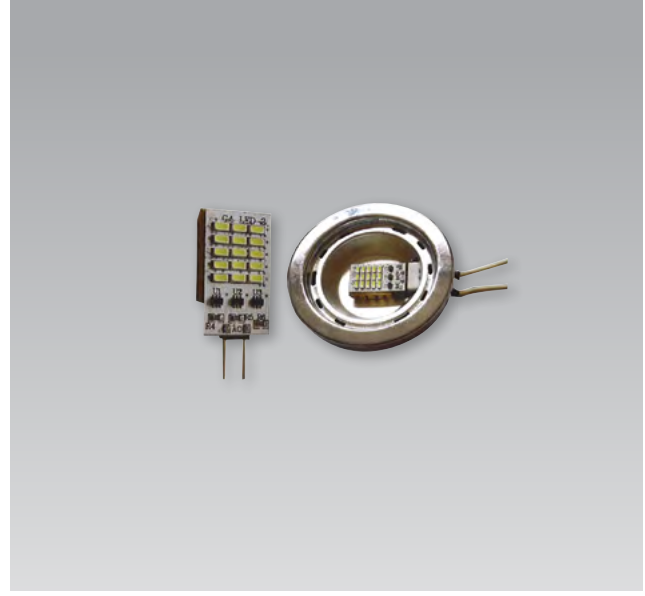
DIMMER TO SUIT PDL



Dimensions	Load Wattage	Input Voltage
L23 x W23 x H55mm	10-350W 1.8A MAX	240V AC 50Hz

- Smooth and trouble free dimming with Halcyon Drivers and Transformers.
- Compact design compatible with most switchplates and accessories.
- No Neutral required.
- Soft start.
- Suitable for 1 way or 2 way operation.
- Overheat Protection.
- Trailing Edge Dimming method
- Smaller knob available (see DIMROCLI350)

LEDI.6WW G4 LED G4 REPLACEMENT BURNER



Watts	Voltage	CRI
1.6W	12V AC/DC CV	80

Diode: G4 AC/DC CV
 Available in: LEDI.6WW (3000K WW)

LED6WW LED MR16 RETROFIT LAMP



Watts	Lumens	Voltage	CRI
6W	<530lm	12-14V AC/DC	80

Diode: SSC 40° Constant Voltage
 Material: Aluminium & Plastic
 Dimensions: D50 x H34mm
 Transformer: Not Included, LED6WW for use with existing ULTRA70 or DRACV12 20W
 Available in: LEDWWAC (Warm White 3000K)
 LEDWNAC (Natural White 4000K)
 LEDWWDAC (Warm White 3000K Dimmable)
 Note: Max 2 lamps per Transformer



LED6WW350 LED MR16 MODULE



Watts	Lumens	mA	CRI
6.6W	540lm	350	80

Diode: Bridgelux 60° Constant Current
 Material: Aluminium & Plastic
 Dimensions: D49.6 x H50mm
 Driver: Sold Separately
 Available in: LED6WW350 (Warm White 3000K)
 28° Reflector available - LEDIO28



LED7.5WW40 LED MR16 MODULE



Watts	Lumens	mA	CRI
7.5W	700lm	350	80

Diode: Sharp 40° Constant Current
 Material: Aluminium & Plastic
 Dimensions: D50 x H56mm
 Driver: Sold Separately
 Available in: LED7.5WW40 (Warm White 3000K)



LED10 350mA

LED MODULE



Watts	Lumens	mA	CRI
10W	<850lm	350	83

ledlite.

Diode: Bridgelux 60° Constant Current 50,000hrs
 Material: Aluminium & Plastic
 Dimensions: D49.6 x H80mm
 Driver: Sold Separately
 Available in: LEDIOWS60 (Super Warm 2700K)
 LEDIOWW60 (Warm White 3000K)
 LEDIOWN60 (Natural White 4000K)
 LEDIOWD60 (Daylight 6000K)
 Accessories 28° Reflector available - LEDIO28

LED10 260mA

LED MODULE



Watts	Lumens	mA	CRI
10W	<850lm	260	80

ledlite.

Diode: Sharp 60° Constant Current 40,000hrs
 Material: Aluminium & Plastic
 Dimensions: D49.6 x H80mm
 Driver: Sold Separately
 Available in: LEDIOWS260 (Super Warm 2700K)
 LEDIOWW260 (Warm White 3000K)
 LEDIOWN260 (Natural White 4000K)
 LEDIOWC260 (Cool White 5000K)

LED9WW ES R80

LED REPLACEMENT LAMP



Watts	Lumens	Voltage	CRI
9W	800lm	220-240V	80

ledlite.

Diode: ledlite R80 Reflector 30,000hrs
 Dimensions: D78 x H110mm
 Available in: LED9WWDR80ES (E27 3000K Dimmable)
 LED9WWR80ES (E27 3000K Non Dimmable)
 NB: Shock and Vibration proof. Equivalent to 75W Incandescent and lasts up to 40x longer.

LED9WW BC R80

LED REPLACEMENT LAMP



Watts	Lumens	Voltage	CRI
9W	800lm	220-240V	80

ledlite.

Diode: ledlite R80 Reflector 30,000hrs
 Dimensions: D78 x H110mm
 Available in: LED9WWDR80BC (B22 3000K Dimmable)
 LED9WWR80BC (B22 3000K Non Dimmable)
 NB: Shock and Vibration proof. Equivalent to 75W Incandescent and lasts up to 40x longer.

LEDI6 16W

LED ARIII MODULE



Watts	Lumens	mA	CRI
16W	<1650lm	500	80

ledlite.

Diode: Bridgelux 60° Constant Current 40,000hrs
 Material: Aluminium & Plastic
 Dimensions: D111 x H70mm
 Driver: Sold Separately
 Available in: LEDI6WWAR60 (Warm White 3000K)
 LEDI6WVAR60 (Natural White 4000K)

LED23 23W

LED MODULE



Watts	Lumens	mA	CRI
23W	<2050lm	700	80

ledlite.

Diode: Bridgelux 60° Constant Current 40,000hrs
 Material: Aluminium & Plastic
 Dimensions: D111 x H70mm
 Driver: Sold Separately
 Available in: LED23WWAR60 (Warm White 3000K)
 LED23WVAR60 (Natural White 4000K)

LED26 26W

LED MODULE



Watts	Lumens	mA	CRI
26W	<2300lm	700	80

ledlite.

Diode: Bridgelux 50° Constant Current 40,000hrs
 Material: Aluminium & Plastic
 Dimensions: D111 x H70mm
 Driver: Sold Separately
 Available in: LED26WWAR50 (Warm White 3000K)
 LED26WVAR50 (Natural White 4000K)
 LED26WSCAR50 (Super Cool White 6000K)

LEDI8 18W ARIII

LED REPLACEMENT LAMP



Watts	Lumens	Voltage	CRI
18W	<1400lm	AC DC 12V	80

ledlite.

Diode: Bridgelux 30° Constant Current 40,000hrs
 Material: Aluminium & Plastic
 Dimensions: D111 x H67mm G53 BASE
 Available in: LEDI8WWAR30 (Warm White 3000K)
 LEDI8WVAR30 (Natural White 4000K)

TROUBLE SHOOTING	
LUMINAIRE FAILURE ON INITIAL START UP	Wiring to a live driver causes instant failure.
STROBING DIODES	Strobing Diodes normally means maximum wattage of driver has been exceeded.
PREMATURE LUMINAIRE FAILURE	Check Luminaire is operating at correct mA ie: 350mA Luminaire should not be overrun on 700mA as they will overheat and fail. Note: Luminaires in most cases can operate safely with a lower mA than specified, lumen levels will be decreased but greater lifespan is achieved.
LUMINAIRE POWERS UP BY ITSELF	Please be aware when installing Drivers and LED luminaires on two way switching circuits - if the live TPS cable is run parallel and next to the non live TPS cable feeding the drivers , induction can occur causing luminaires to flash on and off. A relay or capacitor can be used to rectify this issue. Ensure relay or capacitor is distanced from the driver or alternatively use a larger wattage driver (note this issue is prevalent with small wattage drivers 4W and under).
DIODES SHOWING INCORRECT COLOUR	If a white diode shows as another colour (e.g. red or blue) after powering it is wired incorrectly in parallel instead of series. If a constant current product is wired in parallel the diode is permanently damaged instantly and will fail prematurely.
DRIVER LED DIODE PREMATURE FAILURE	Small residual current that does not necessarily illuminate the fitting causes early Driver and LED failure. Always use recommended quality dimmers and sensors Residual current from some sensors causes the same issues as induction.

TERMS & CONDITIONS.

Halcyon Lighting has taken all due care to ensure that all technical details listed in this catalogue are correct, however should any errors be found Halcyon Lighting reserves the right to make alterations without notice.

Product Specifications and Appearances are subject to change without prior notice. Imported product is subject to change without notice.

Cutting of holes prior to receiving goods is entirely at purchasers risk.

Goods ordered remain the property of Halcyon Lighting until paid in full.

WARRANTY.

All Halcyon LED products carry a standard 3 year warranty against manufacturing faults.

All Halcyon LED Drivers carry a standard 5 year warranty against manufacturing faults.

Warranties on all Halcyon LED luminaires only apply when used in conjunction with Halcyon Supplied Driver Ranges.

SUPPLIER DECLARATION OF CONFORMITY (SDoC).

All Halcyon products comply with Essential Safety Requirements for Electrical Equipment.

Edition AS/NZS60598:2.2001 - Amendment A July 2011 & AS / NZS3820:2009/

Documentation is available online or by request.

CUSTOM COLOUR POLICY.

Halcyon Lighting is happy to provide custom colouring services for our clients. In instances where fittings are wet sprayed not powder coated, some colours especially lighter paint finishes can be compromised, due to the unpredictability of oil based paints and their reaction to UV and temperature. Halcyon therefore takes no responsibility for the longevity of custom painted finishes in relation to maintaining colour.

LED WIRING / PARALLEL OR SERIES

Wired in Parallel e.g. AC/DC, 12 & 24V

Wired in Series e.g. 350mA, 500mA, 700mA or 900mA

PHOTOMETRIC DATA AND IES FILES

Photometric data and IES files available for most products online or by request.

www.halcyonlights.co.nz

10 Basalt Place, East Tamaki
Auckland 2013, New Zealand
PO Box 58 501, Botany
Manukau 2163, New Zealand

