



SPECIFICATIONS

DIMENSIONS	L250 x W16 x D10mm
CUT OUT	N/A - Surface Mount
COLOUR TEMP	3000K Warm White
IP RATING	IP67
CRI	< 80
DIODE / LIFESPAN	Phillips LED / < 35,000 Hours
MATERIAL	316 Stainless Steel or Copper
DRIVER	Not included, remote driven
APPLICATION	Exterior Surface Mount

180
LUMENS

3
WATTS

CV
PARALLEL
24V DC

AVAILABLE IN

DESCRIPTION	CODE
316 Stainless Steel 3000K	EX306 1BSS
Copper 3000K	EX306 1BCO



SPECIFICATIONS

DIMENSIONS	<i>L450 x W16 x D10mm</i>
CUT OUT	<i>N/A - Surface Mount</i>
COLOUR TEMP	<i>3000K Warm White</i>
IP RATING	<i>IP67</i>
CRI	<i>< 80</i>
DIODE / LIFESPAN	<i>Phillips LED / < 35,000 Hours</i>
MATERIAL	<i>316 Stainless Steel or Copper</i>
DRIVER	<i>Not included, remote driven</i>
APPLICATION	<i>Exterior Surface Mount</i>

400
LUMENS

6
WATTS

CV
PARALLEL
24V DC

AVAILABLE IN

DESCRIPTION	CODE
316 Stainless Steel 3000K	EX308 1BSS
Copper 3000K	EX308 1BCO



SPECIFICATIONS

AC LED no driver needed

DIMENSIONS	L245 x D69 x H139mm
CUT OUT	N/A - Surface Mount
COLOUR TEMP	3000K Warm White
IP RATING	IP65
CRI	< 80
DIODE / LIFESPAN	SMD LED / < 50,000 Hours
BEAM ANGLE	Wide beam
MATERIAL	Corrosion Proof Poly Carbonate
DRIVER	AC LED Driverless technology (240V)
APPLICATION	Exterior Surface Mount

510
LUMENS

8.5
WATTS

AC
240V

AVAILABLE IN

DESCRIPTION	CODE
White 3000K	EX240 1BW
Silver Grey 3000K	EX240 1BS
Charcoal 3000K	EX240 1BC
Black 3000K	EX240 1BB



SPECIFICATIONS

AC LED no driver needed

DIMENSIONS	L310 x D69 x H175mm
CUT OUT	N/A - Surface Mount
COLOUR TEMP	3000K Warm White
IP RATING	IP65
CRI	< 80
DIODE / LIFESPAN	SMD LED / < 50,000 Hours
BEAM ANGLE	Wide beam
MATERIAL	Corrosion Proof Poly Carbonate
DRIVER	AC LED Driverless technology (240V)
APPLICATION	Exterior Surface Mount

1080
LUMENS

18
WATTS

AC
240V

AVAILABLE IN

DESCRIPTION	CODE
White 3000K	EX241 1BW
Silver Grey 3000K	EX241 1BS
Charcoal 3000K	EX241 1BC
Black 3000K	EX241 1BB



SPECIFICATIONS

AC LED no driver needed

DIMENSIONS	<i>D190 x H74mm</i>
CUT OUT	<i>N/A - Surface Mount</i>
COLOUR TEMP	<i>3000K Warm White</i>
IP RATING	<i>IP65</i>
CRI	<i>< 80</i>
DIODE / LIFESPAN	<i>SMD LED / < 50,000 Hours</i>
BEAM ANGLE	<i>Wide beam</i>
MATERIAL	<i>Corrosion Proof Poly Carbonate</i>
DRIVER	<i>AC LED Driverless technology (240V)</i>
APPLICATION	<i>Exterior Surface Mount</i>

**480
LUMENS**

**8
WATTS**

**AC
240V**

AVAILABLE IN

DESCRIPTION	CODE
White 3000K	EX250 1CW
Silver Grey 3000K	EX250 1CS
Charcoal 3000K	EX250 1CC
Black 3000K	EX250 1CB



SPECIFICATIONS

AC LED no driver needed

DIMENSIONS	<i>D245 x H74mm</i>
CUT OUT	<i>N/A - Surface Mount</i>
COLOUR TEMP	<i>3000K Warm White</i>
IP RATING	<i>IP65</i>
CRI	<i>< 80</i>
DIODE / LIFESPAN	<i>SMD LED / < 50,000 Hours</i>
BEAM ANGLE	<i>Wide beam</i>
MATERIAL	<i>Corrosion Proof Poly Carbonate</i>
DRIVER	<i>AC LED Driverless technology (240V)</i>
APPLICATION	<i>Exterior Surface Mount</i>

**780
LUMENS**

**13
WATTS**

**AC
240V**

AVAILABLE IN

DESCRIPTION	CODE
White 3000K	EX251 1CW
Silver Grey 3000K	EX251 1CS
Charcoal 3000K	EX251 1CC
Black 3000K	EX251 1CB



SPECIFICATIONS

AC LED no driver needed

DIMENSIONS	<i>D310 x H74mm</i>
CUT OUT	<i>N/A - Surface Mount</i>
COLOUR TEMP	<i>3000K Warm White</i>
IP RATING	<i>IP65</i>
CRI	<i>< 80</i>
DIODE / LIFESPAN	<i>SMD LED / < 50,000 Hours</i>
BEAM ANGLE	<i>Wide beam</i>
MATERIAL	<i>Corrosion Proof Poly Carbonate</i>
DRIVER	<i>AC LED Driverless technology (240V)</i>
APPLICATION	<i>Exterior Surface Mount</i>

**1080
LUMENS**

**18
WATTS**

**AC
240V**

AVAILABLE IN

DESCRIPTION	CODE
White 3000K	EX252 1CW
Silver Grey 3000K	EX252 1CS
Charcoal 3000K	EX252 1CC
Black 3000K	EX252 1CB



SPECIFICATIONS

DIMENSIONS	<i>D190 x H50mm</i>
CUT OUT	<i>N/A - Surface Mount</i>
COLOUR TEMP	<i>2700K Super Warm White</i>
IP RATING	<i>IP65</i>
CRI	<i>< 80</i>
DIODE / LIFESPAN	<i>Lextar LED / < 40,000 Hours</i>
BEAM ANGLE	<i>90°</i>
MATERIAL	<i>Aluminium</i>
DRIVER	<i>Incorporated, connect to mains</i>
APPLICATION	<i>Exterior Surface Mount</i>

800
LUMENS

9.6
WATTS

AC
240V

AVAILABLE IN

DESCRIPTION	CODE
Black 2700K	EX915 SMBL
Silver 3000K	EX915 SMSL



SPECIFICATIONS

DIMENSIONS	L170 x W170 x H42mm
CUT OUT	N/A - Surface Mount
COLOUR TEMP	2700K Super Warm White
IP RATING	IP65
CRI	< 80
DIODE / LIFESPAN	Lextar LED / < 40,000 Hours
BEAM ANGLE	90°
MATERIAL	Aluminium
DRIVER	Incorporated, connect to mains
APPLICATION	Exterior Surface Mount

800
LUMENS

9.6
WATTS

AC
240V

AVAILABLE IN

DESCRIPTION	CODE
Black 2700K	EX916 SMBL
Silver 3000K	EX916 SMSL



SPECIFICATIONS

DIMENSIONS	<i>L96 x W96 x D110mm (6.5 Lip)</i>
CUT OUT	<i>83 x 83mm</i>
COLOUR TEMP	<i>3000K Warm White</i>
IP RATING	<i>IP65</i>
CRI	<i>< 80</i>
DIODE / LIFESPAN	<i>Osram LED / < 40,000 Hours</i>
BEAM ANGLE	<i>90°</i>
MATERIAL	<i>Aluminium</i>
DRIVER	<i>Sold Separately</i>
APPLICATION	<i>Exterior wall recess / stair tread</i>

60
LUMENS

3
WATTS

CC
SERIES
700mA



AVAILABLE IN

DESCRIPTION	CODE
Black 3000K	EX183 BL
Silver 3000K	EX183 SL

OPTIONAL ACCESSORIES

DESCRIPTION	CODE
Concrete installation housing L86 X W86 X D103MM	EX183 PHO



SPECIFICATIONS

DIMENSIONS	<i>L96 x W96 x D110mm</i>
CUT OUT	<i>83 x 83mm</i>
COLOUR TEMP	<i>3000K Warm White</i>
IP RATING	<i>IP65</i>
CRI	<i>< 80</i>
DIODE / LIFESPAN	<i>Osram LED / < 40,000 Hours</i>
BEAM ANGLE	<i>90°</i>
MATERIAL	<i>Aluminium</i>
DRIVER	<i>Sold Separately</i>
APPLICATION	<i>Exterior wall recess / stair tread</i>

60
LUMENS

3
WATTS

CC
SERIES
700mA



AVAILABLE IN

DESCRIPTION	CODE
Black 3000K	EX184 BL
Silver 3000K	EX184 SL

OPTIONAL ACCESSORIES

DESCRIPTION	CODE
Concrete installation housing L86 X W86 X D103MM	EX183 PHO



SPECIFICATIONS

DIMENSIONS	D80 x H36mm
CUT OUT	78mm
COLOUR TEMP	2700K Super Warm White
IP RATING	IP67
CRI	< 80
DIODE / LIFESPAN	Cree LED / < 30,000 Hours
BEAM ANGLE	40°
MATERIAL	316 Stainless Steel
COMPLETE WITH	Removable Plastic Housing for Concrete applications (pictured)
DRIVER	Not included, remote driven
APPLICATION	Exterior wall recess / stair tread

60
LUMENS

3
WATTS

CV
PARALLEL
24V DC

AVAILABLE IN

DESCRIPTION	CODE
316 Stainless Steel 2700K	EX910 SSL



SPECIFICATIONS

DIMENSIONS	<i>L80 x W80 x H36mm</i>
CUT OUT	<i>78mm</i>
COLOUR TEMP	<i>2700K Super Warm White</i>
IP RATING	<i>IP67</i>
CRI	<i>< 80</i>
DIODE / LIFESPAN	<i>Cree LED / < 30,000 Hours</i>
BEAM ANGLE	<i>40°</i>
MATERIAL	<i>316 Stainless Steel</i>
COMPLETE WITH	<i>Removable Plastic Housing for Concrete applications (pictured)</i>
DRIVER	<i>Not included, remote driven</i>
APPLICATION	<i>Exterior wall recess / stair tread</i>

60
LUMENS

3
WATTS

CV
PARALLEL
24V DC

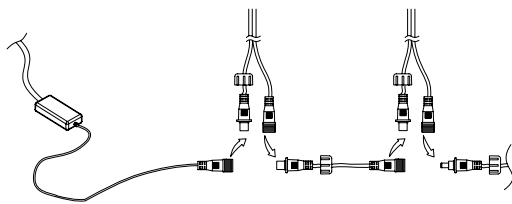
AVAILABLE IN

DESCRIPTION	CODE
316 Stainless Steel 2700K	EX911 SSL



AVAILABLE IN

DESCRIPTION	CODE
316 STS 2700K	EX191 1SSSL
316 STS Black 2700K	EX191 1SBSL
Copper 2700K	EX191 1SCOL



SPECIFICATIONS

Driver not Included: Remote Driven

DIMENSIONS	Spot Diameter: 44mm W100 x H292mm
MAX RUN	75W (18 x EX191 per circuit)
COLOUR TEMP	2700K Warm White
IP RATING	IP66
CRI	< 80
DIODE / LIFESPAN	Sharp 24V DC CV / < 40,000 Hours
BEAM ANGLE	30° Beam
TILT / ROTATE	270° Tilt 355° Rotate
MATERIAL	316 Stainless Steel or Copper
DRIVER	Not included: Remote driven
APPLICATION	Exterior Surface Mount / Spike Spot C/W removable Spike spot

207 LUMENS **4 WATTS** **CV PARALLEL 24V DC**



OPTIONAL ACCESSORIES

DESCRIPTION	CODE
EX191/192 1M LOOP/EXTENSION CABLE	EX193 LC1M
EX191/192 2M LOOP/EXTENSION CABLE	EX193 LC2M
EX191/192 3M LOOP/EXTENSION CABLE	EX193 LC3M
EX191/192 4M LOOP/EXTENSION CABLE	EX193 LC4M
EX191/192 5M LOOP/EXTENSION CABLE	EX193 LC5M
EX191/192 10M LOOP/EXTENSION CABLE	EX193 LC10M
EX191/192 2 WAY SPOT SOCKET	EX193 S2
EX191/192 3 WAY SPOT SOCKET	EX193 S3
EX191/192 5 WAY SPOT SOCKET	EX193 S5



SPECIFICATIONS

Driver not Included: Remote Driven

DIMENSIONS	Spot Diameter: 70mm W135 x H658mm
MAX RUN	75W (9 x EX192 per circuit)
COLOUR TEMP	2700K Warm White
IP RATING	IP66
CRI	< 80
DIODE / LIFESPAN	Sharp 24V DC CV / < 40,000 Hours
BEAM ANGLE	30° Beam
TILT / ROTATE	270° Tilt 355° Rotate
MATERIAL	316 Stainless Steel or Copper
DRIVER	Not included: Remote driven
APPLICATION	Exterior Surface Mount / Spike Spot C/W removable Spike spot

AVAILABLE IN

DESCRIPTION	CODE
316 STS 2700K	EX192 1SSSL
316 STS Black 2700K	EX192 1SBSL
Copper 2700K	EX192 1SCOL

426
LUMENS

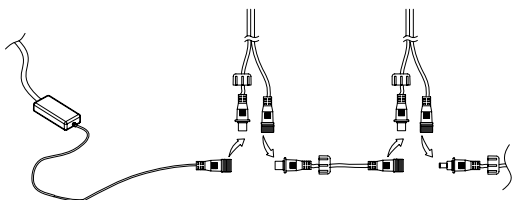
8
WATTS

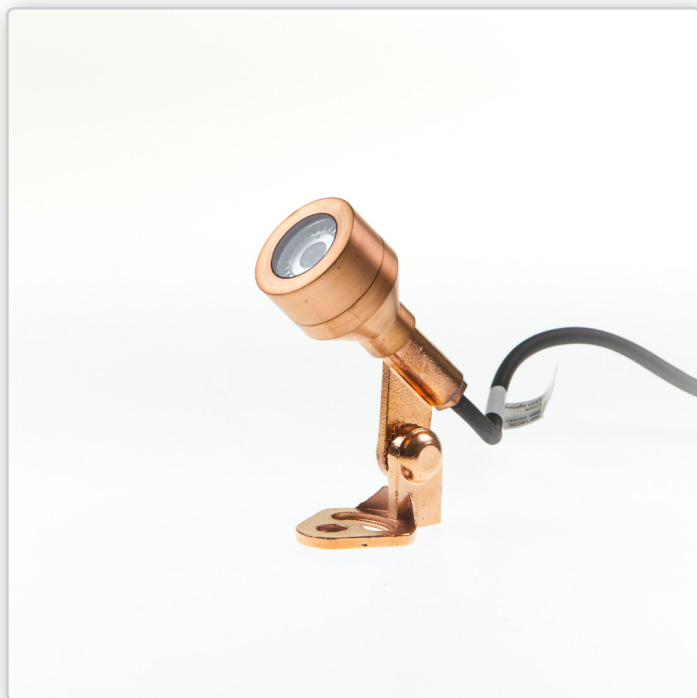
CV
PARALLEL
24V DC



OPTIONAL ACCESSORIES

DESCRIPTION	CODE
EX191/192 1M LOOP/EXTENSION CABLE	EX193 LC1M
EX191/192 2M LOOP/EXTENSION CABLE	EX193 LC2M
EX191/192 3M LOOP/EXTENSION CABLE	EX193 LC3M
EX191/192 4M LOOP/EXTENSION CABLE	EX193 LC4M
EX191/192 5M LOOP/EXTENSION CABLE	EX193 LC5M
EX191/192 10M LOOP/EXTENSION CABLE	EX193 LC10M
EX191/192 2 WAY SPOT SOCKET	EX193 S2
EX191/192 3 WAY SPOT SOCKET	EX193 S3
EX191/192 5 WAY SPOT SOCKET	EX193 S5





SPECIFICATIONS

DIMENSIONS	80 x 97mm
COLOUR TEMP	2700K Super Warm White
IP RATING	IP68
CRI	< 80
DIODE / LIFESPAN	Cree LED / < 30,000 Hours
BEAM ANGLE	60°
MATERIAL	316 Stainless Steel or Copper
DRIVER	Not included, remote driven
COMPLETE WITH	Spike Spot attachment
APPLICATION	Exterior Surface Mount or Spike Spot

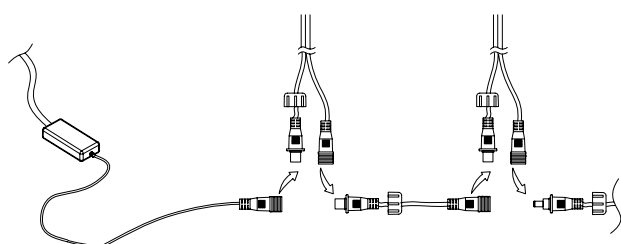
106 LUMENS **3 WATTS** **CV PARALLEL 24V DC**

SPIKE SPOT INCLUDED



AVAILABLE IN

DESCRIPTION	CODE
Black Titanium 316 Stainless Steel 2700K	EX105 1SBL
Copper 2700K	EX105 1SCOL
316 Stainless Steel 2700K	EX105 1SSSL



OPTIONAL ACCESSORIES

DESCRIPTION	CODE
1M LOOP/EXTENSION CABLE	EX193 LC1M
2M LOOP/EXTENSION CABLE	EX193 LC2M
3M LOOP/EXTENSION CABLE	EX193 LC3M
4M LOOP/EXTENSION CABLE	EX193 LC4M
5M LOOP/EXTENSION CABLE	EX193 LC5M
10M LOOP/EXTENSION CABLE	EX193 LC10M
2 WAY SOCKET	EX193 S2
3 WAY SOCKET	EX193 S3
5 WAY SOCKET	EX193 S5

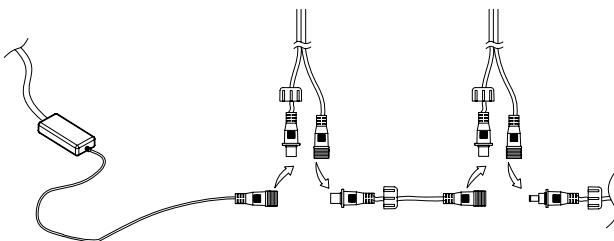


SPECIFICATIONS

DIMENSIONS	112 x 122mm
COLOUR TEMP	2700K Super Warm White or RGB
IP RATING	IP68
CRI	< 80
DIODE / LIFESPAN	Cree LED / < 30,000 Hours
BEAM ANGLE	60°
MATERIAL	316 Stainless Steel or Copper
DRIVER	Not included, remote driven
COMPLETE WITH	Spike Spot attachment
APPLICATION	Exterior Surface Mount or Spike Spot

AVAILABLE IN

DESCRIPTION	CODE
Black Titanium 316 Stainless Steel 2700K	EX106 1SBL
Copper 2700K	EX106 1SCOL
316 Stainless Steel 2700K	EX106 1SSSL
Black Titanium 316 Stainless Steel RGB	EX106 1SBRGB
316 Stainless Steel RGB	EX106 1SSSRGB

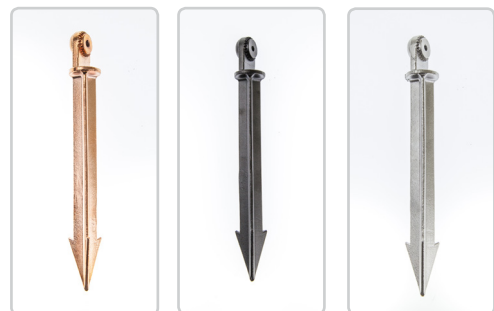


430
LUMENS

7
WATTS

CV
PARALLEL
24V DC

SPIKE SPOT INCLUDED



OPTIONAL ACCESSORIES

DESCRIPTION	CODE
1M LOOP/EXTENSION CABLE	EX193 LC1M
2M LOOP/EXTENSION CABLE	EX193 LC2M
3M LOOP/EXTENSION CABLE	EX193 LC3M
4M LOOP/EXTENSION CABLE	EX193 LC4M
5M LOOP/EXTENSION CABLE	EX193 LC5M
10M LOOP/EXTENSION CABLE	EX193 LC10M
2 WAY SOCKET	EX193 S2
3 WAY SOCKET	EX193 S3
5 WAY SOCKET	EX193 S5

EXTERIOR MINI RECESSED HIGHLIGHTERS ROUND DISPLAY / DECK LIGHT 8 PACKS

R895



SPECIFICATIONS

DIMENSIONS	D35 x H24mm
CUT OUT	30mm
COLOUR TEMP	2700K Super Warm White or RGB
IP RATING	IP67
CRI	< 80
DIODE / LIFESPAN	Epistar LED / < 30,000 Hours
BEAM ANGLE	120°
MATERIAL	316 Stainless Steel
DRIVER	Included, pre wired (non dimmable)
APPLICATION	Exterior recess highlighters

0.5 WATTS **CV PARALLEL 24V DC**

AVAILABLE IN

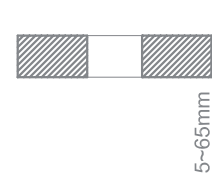
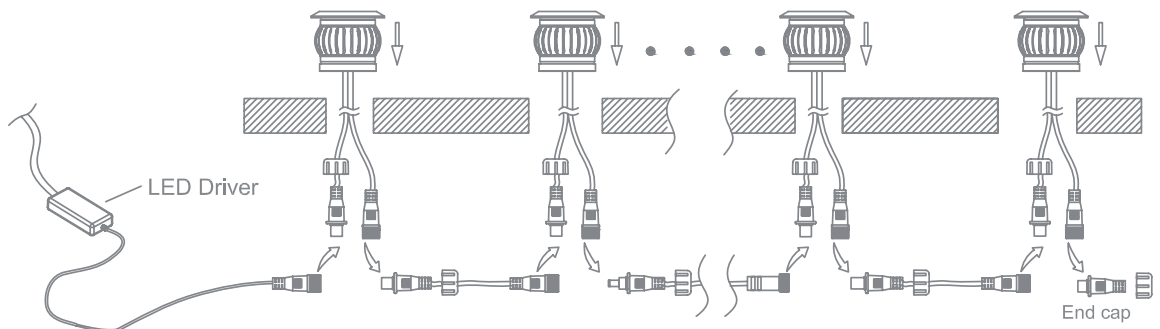
DESCRIPTION	CODE
316 Stainless Steel 2700K	R895 KSSWL
316 Stainless Steel RGB	R895 KSSRGL

OPTIONAL ACCESSORIES

DESCRIPTION	CODE
1.5M LOOP/EXTENSION CABLE	R895 LC1.5M
3M LOOP/EXTENSION CABLE	R895 LC3M
RGB 1.5M LOOP/EXTENSION CABLE	R895 LCRGB1.5M
RGB 3M LOOP/EXTENSION CABLE	R895 LCRGB3M



Available in **RGB**



Suitable for installation into 5-65mm thickness decking/roofing.

EXTERIOR MINI RECESSED HIGHLIGHTERS SQUARE DISPLAY / DECK LIGHT 8 PACKS

R896



SPECIFICATIONS

DIMENSIONS	L35 x W35 x H24mm
CUT OUT	30mm
COLOUR TEMP	2700K Super Warm White or RGB
IP RATING	IP67
CRI	< 80
DIODE / LIFESPAN	Epistar LED / < 30,000 Hours
BEAM ANGLE	120°
MATERIAL	316 Stainless Steel
DRIVER	Included, pre wired (non dimmable)
APPLICATION	Exterior recess highlighters

0.5
WATTS

CV
PARALLEL
24V DC

AVAILABLE IN

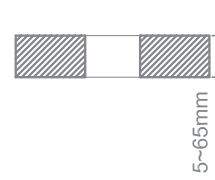
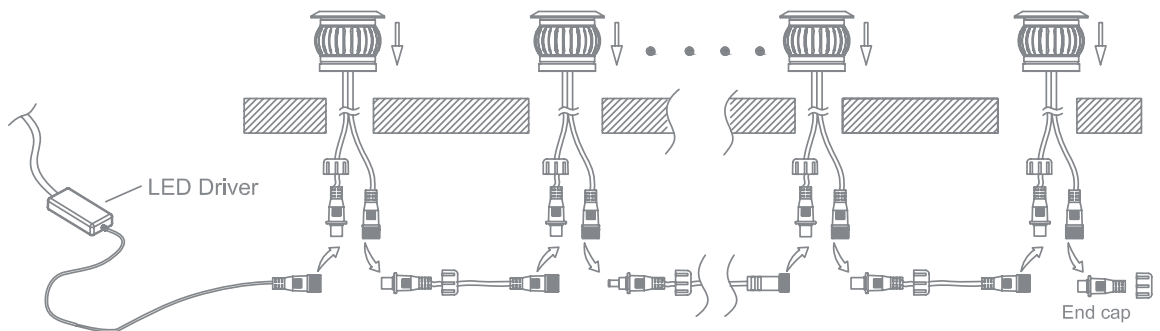
DESCRIPTION	CODE
316 Stainless Steel 2700K	R896 KSSWL
316 Stainless Steel RGB	R896 KSSRGBL

OPTIONAL ACCESSORIES

DESCRIPTION	CODE
1.5M LOOP/EXTENSION CABLE	R895 LC1.5M
3M LOOP/EXTENSION CABLE	R895 LC3M
RGB 1.5M LOOP/EXTENSION CABLE	R895 LCRGB1.5M
RGB 3M LOOP/EXTENSION CABLE	R895 LCRGB3M



Available in
RGB



Suitable for installation into 5-65mm thickness decking/roofing.



SPECIFICATIONS

DIMENSIONS	<i>D42 x H47mm</i>
CUT OUT	<i>30mm</i>
COLOUR TEMP	<i>2700K Super Warm White</i>
IP RATING	<i>IP67</i>
CRI	<i>< 80</i>
DIODE / LIFESPAN	<i>Cree LED / < 30,000 Hours</i>
BEAM ANGLE	<i>60°</i>
MATERIAL	<i>316 Stainless Steel</i>
DRIVER	<i>Sold seperately (Remote driven)</i>
APPLICATION	<i>Exterior recess highlighter</i>

AVAILABLE IN

DESCRIPTION	CODE
316 Stainless Steel 2700K	R723 SSL

57
LUMENS

1.2
WATTS

CV
PARALLEL
24V DC



EXTERIOR MINI RECESS TWO WAY MULTIPURPOSE EFFECT LIGHT

R724



SPECIFICATIONS

DIMENSIONS	<i>D42 x H47mm</i>
CUT OUT	<i>30mm</i>
COLOUR TEMP	<i>2700K Super Warm White</i>
IP RATING	<i>IP67</i>
CRI	<i>< 80</i>
DIODE / LIFESPAN	<i>Cree LED / < 30,000 Hours</i>
BEAM ANGLE	<i>60°</i>
MATERIAL	<i>316 Stainless Steel</i>
DRIVER	<i>Sold seperately (Remote driven)</i>
APPLICATION	<i>Exterior recess multi direction highlighter</i>

AVAILABLE IN

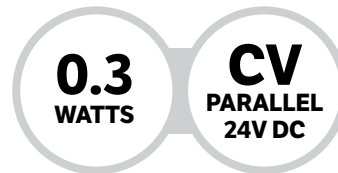
DESCRIPTION	CODE
316 Stainless Steel 2700K	R724 SSL





SPECIFICATIONS

DIMENSIONS	Single Colour: D20 x H21mm RGB: D20 x H29mm
CUT OUT	15mm
COLOUR TEMP	2700K Super Warm White or RGB
IP RATING	IP68
CRI	< 80
DIODE / LIFESPAN	Epistar LED / < 30,000 Hours
MATERIAL	316 Stainless Steel
DRIVER	Sold separately (Remote driven)
APPLICATION	Exterior recess highlighters



AVAILABLE IN

DESCRIPTION	CODE
316 Stainless Steel 2700K	R899 SSWL
316 Stainless Steel 4000K	R899 SSNL
316 Stainless Steel RGB	R899 SSRGBL
316 Stainless Steel Amber	R899 SSAL
316 Stainless Steel Blue	R899 SSBL
316 Stainless Steel Green	R899 SSGL
316 Stainless Steel Red	R899 SSRL

OPTIONAL ACCESSORIES

DESCRIPTION	CODE
FEED CABLE 1M	R899 FC1M
RGB FEED CABLE 1M	R899 FCRGB1M
1.5M LOOP/EXTENSION CABLE	R899 LC1.5M
3M LOOP/EXTENSION CABLE	R899 LC3M
RGB 1.5M LOOP/EXTENSION CABLE	R899 LCRGB1.5M
RGB 3M LOOP/EXTENSION CABLE	R899 LCRGB3M



SPECIFICATIONS

DIMENSIONS	<i>D60 x H47mm</i>
CUT OUT	<i>52mm</i>
COLOUR TEMP	<i>2700K Super Warm White, Blue or Green</i>
IP RATING	<i>IP68</i>
CRI	<i>< 80</i>
DIODE / LIFESPAN	<i>Cree LED / < 30,000 Hours</i>
BEAM ANGLE	<i>60°</i>
MATERIAL	<i>316 Stainless Steel</i>
DRIVER	<i>Not included (remote driven)</i>
APPLICATION	<i>Exterior Deck or Ceiling</i>

AVAILABLE IN

DESCRIPTION	CODE
316 STS 2700K	R900 SSL
316 STS Blue	R900 SSBL
316 STS Green	R900 SSGL

70
LUMENS

2
WATTS

CV
PARALLEL
24V DC


Available in
Green or Blue



EXTERIOR SMALL RECESSED ROUND DISPLAY / DECK LIGHT

R901



SPECIFICATIONS

DIMENSIONS	<i>D76 x H49mm</i>
CUT OUT	<i>60mm</i>
COLOUR TEMP	<i>2700K Super Warm White, Blue or Green</i>
IP RATING	<i>IP68</i>
CRI	<i>< 80</i>
DIODE / LIFESPAN	<i>Cree LED / < 30,000 Hours</i>
BEAM ANGLE	<i>60°</i>
MATERIAL	<i>316 Stainless Steel</i>
DRIVER	<i>Not included (remote driven)</i>
APPLICATION	<i>Exterior Deck or Ceiling</i>

AVAILABLE IN

DESCRIPTION	CODE
316 STS 2700K	R901 SSL
316 STS Blue	R901 SSBL
316 STS Green	R901 SSGL

180
LUMENS

4
WATTS

CV
PARALLEL
24V DC



Available in
Green or Blue





SPECIFICATIONS

DIMENSIONS	D60 x H84.5mm
CUT OUT	50mm
COLOUR TEMP	3000K Warm White
IP RATING	IP67
CRI	< 80
DIODE / LIFESPAN	Sharp LED / < 35,000 Hours
BEAM ANGLE	30°
MATERIAL	316 Stainless Steel and/or Copper
DRIVER	Not included (Non Dimmable)
MAX RUN	75W (17 per circuit)
APPLICATION	Exterior inground or wall

176
LUMENS

4.3
WATTS

CV
PARALLEL
24V DC

AVAILABLE IN

DESCRIPTION	CODE
316 Stainless Steel 3000K	EX143 STSL
Copper 3000K	EX143 COL

OPTIONAL ACCESSORIES

DESCRIPTION	CODE
Plastic Housing Vertical Mount	EX143 PH
Aluminium Housing Horizontal Mount	EX143 AH



SPECIFICATIONS

DIMENSIONS	D60 x H97mm
CUT OUT	50mm
COLOUR TEMP	3000K Warm White
IP RATING	IP67
CRI	< 80
DIODE / LIFESPAN	Sharp LED / < 35,000 Hours
BEAM ANGLE	153°
MATERIAL	316 Stainless Steel and/or Copper
DRIVER	Not included (Non Dimmable)
MAX RUN	75W (17 per circuit)
APPLICATION	Exterior inground or wall

30
LUMENS

4.3
WATTS

CV
PARALLEL
24V DC

AVAILABLE IN

DESCRIPTION	CODE
316 Stainless Steel 3000K	EX144 STSL
Copper 3000K	EX144 COL

OPTIONAL ACCESSORIES

DESCRIPTION	CODE
Plastic Housing Vertical Mount	EX143 PH
Aluminium Housing Horizontal Mount	EX143 AH



SPECIFICATIONS

DIMENSIONS	D60 x H97mm
CUT OUT	50mm
COLOUR TEMP	3000K Warm White
IP RATING	IP67
CRI	< 80
DIODE / LIFESPAN	Sharp LED / < 35,000 Hours
BEAM ANGLE	141°
MATERIAL	316 Stainless Steel and/or Copper
DRIVER	Not included (Non Dimmable)
MAX RUN	75W (17 per circuit)
APPLICATION	Exterior inground or wall

**2x30
LUMENS**

**4.3
WATTS**

**CV
PARALLEL
24V DC**

AVAILABLE IN

DESCRIPTION	CODE
316 Stainless Steel 3000K	EX145 STSL
Copper 3000K	EX145 COL

OPTIONAL ACCESSORIES

DESCRIPTION	CODE
Plastic Housing Vertical Mount	EX143 PH
Aluminium Housing Horizontal Mount	EX143 AH



SPECIFICATIONS

DIMENSIONS	D60 x H97mm
CUT OUT	50mm
COLOUR TEMP	3000K Warm White
IP RATING	IP67
CRI	< 80
DIODE / LIFESPAN	Sharp LED / < 35,000 Hours
BEAM ANGLE	180°
MATERIAL	316 Stainless Steel and/or Copper
DRIVER	Not included (Non Dimmable)
MAX RUN	75W (17 per circuit)
APPLICATION	Exterior inground or wall

3x30
LUMENS

4.3
WATTS

CV
PARALLEL
24V DC

AVAILABLE IN

DESCRIPTION	CODE
316 Stainless Steel 3000K	EX146 STSL
Copper 3000K	EX146 COL

OPTIONAL ACCESSORIES

DESCRIPTION	CODE
Plastic Housing Vertical Mount	EX143 PH
Aluminium Housing Horizontal Mount	EX143 AH



SPECIFICATIONS

DIMENSIONS	D60 x H97mm
CUT OUT	50mm
COLOUR TEMP	3000K Warm White
IP RATING	IP67
CRI	< 80
DIODE / LIFESPAN	Sharp LED / < 35,000 Hours
BEAM ANGLE	180°
MATERIAL	316 Stainless Steel and/or Copper
DRIVER	Not included (Non Dimmable)
MAX RUN	75W (17 per circuit)
APPLICATION	Exterior inground or wall

4x30
LUMENS

4.3
WATTS

CV
PARALLEL
24V DC

AVAILABLE IN

DESCRIPTION	CODE
316 Stainless Steel 3000K	EX147 STSL
Copper 3000K	EX147 COL

OPTIONAL ACCESSORIES

DESCRIPTION	CODE
Plastic Housing Vertical Mount	EX143 PH
Aluminium Housing Horizontal Mount	EX143 AH

INTERIOR RECESSED ZERO CLEARANCE DOWNLIGHT SHALLOW PROFILE ROUND TILT

R694



SPECIFICATIONS

DIMENSIONS	D92 x H32mm
CUT OUT	83mm
COLOUR TEMP	3000K Warm White
IP RATING	IP44
CRI	< 80
DIODE / LIFESPAN	Lexstar LED / < 35,000 Hours
BEAM ANGLE	36°
TILT ANGLE	25°
MATERIAL	Aluminium
DRIVER	Sold Separately
APPLICATION	Interior only, suitable for low/zero clearance installs

620
LUMENS

5.4
WATTS

CC
SERIES
350mA

AVAILABLE IN

DESCRIPTION	CODE
Black 3000K	R694 BWL
Silver 3000K	R694 SWL
White 3000K	R694 WWL



**EXTERIOR RECESSED ROUND
SMART TILT DOWNLIGHT**

R737



SPECIFICATIONS

DIMENSIONS	<i>D105 x H80mm</i>
CUT OUT	<i>82mm</i>
COLOUR TEMP	<i>3000K Warm White</i>
IP RATING	<i>IP44</i>
CRI	<i>< 80</i>
DIODE / LIFESPAN	<i>Lexstar LED / < 30,000 Hours</i>
BEAM ANGLE	<i>60°</i>
TILT ANGLE	<i>30°</i>
MATERIAL	<i>316 Stainless Steel</i>
DRIVER	<i>Included (Dimmable)</i>
APPLICATION	<i>Exterior</i>

**800
LUMENS**

**9.5
WATTS**

**CC
SERIES
260mA**



AVAILABLE IN

DESCRIPTION	CODE
Black 316 STS 3000K	R737 KBSSWDL
Silver 316 STS 3000K	R737 KSSWDL
White 316 STS 3000K	R737 KWSSWDL





SPECIFICATIONS

DIMENSIONS	L105 x W105 x H80mm
CUT OUT	82mm
COLOUR TEMP	3000K Warm White
IP RATING	IP44
CRI	< 80
DIODE / LIFESPAN	Lexstar LED / < 30,000 Hours
BEAM ANGLE	60°
TILT ANGLE	30°
MATERIAL	316 Stainless Steel
DRIVER	Included (Dimmable)
APPLICATION	Exterior

**800
LUMENS**

**9.5
WATTS**

**CC
SERIES
260mA**



AVAILABLE IN

DESCRIPTION	CODE
Black 316 STS 3000K	R738 KBSSWDL
Silver 316 STS 3000K	R738 KSSWDL
White 316 STS 3000K	R738 KWSSWDL





SPECIFICATIONS

DIMENSIONS	D320mm x H268
COLOUR TEMP	4000K Natural White
IP RATING	IP65
IK RATING	IK09
CRI	< 80
DIODE / LIFESPAN	SMD LED / < 50,000 Hours
BEAM ANGLE	110° (90° Reflector Available)
MATERIAL	Anodized Aluminum Polycarbonate diffuser
DRIVER	Incorporated (Non Dimmable)
POWER FACTOR	0.95
FEED LENGTH	1.5m (Custom feed lengths available for indent orders)

16,500
LUMENS

150
WATTS

AC
240V

AVAILABLE IN

DESCRIPTION	CODE
Black 4000K	P449 1PNL

OPTIONAL ACCESSORIES

DESCRIPTION	CODE
90° Low Glare Reflector Black	P450 RB





SPECIFICATIONS

DIMENSIONS	D320mm x H278
COLOUR TEMP	4000K Natural White
IP RATING	IP65
IK RATING	IK09
CRI	< 80
DIODE / LIFESPAN	SMD LED / < 50,000 Hours
BEAM ANGLE	110° (90° Reflector Available)
MATERIAL	Anodized Aluminum Polycarbonate diffuser
DRIVER	Incorporated (Non Dimmable)
POWER FACTOR	0.95
INSTALLATION	Fully Adjustable tilt bracket for Surface Mount or hanging
FEED LENGTH	1.5m (Custom feed lengths available for indent orders)

**21,000
LUMENS**

**200
WATTS**

**AC
240V**

AVAILABLE IN

DESCRIPTION	CODE
Black 4000K	P450 1PNL

OPTIONAL ACCESSORIES

DESCRIPTION	CODE
90° Low Glare Reflector Black	P450 RB



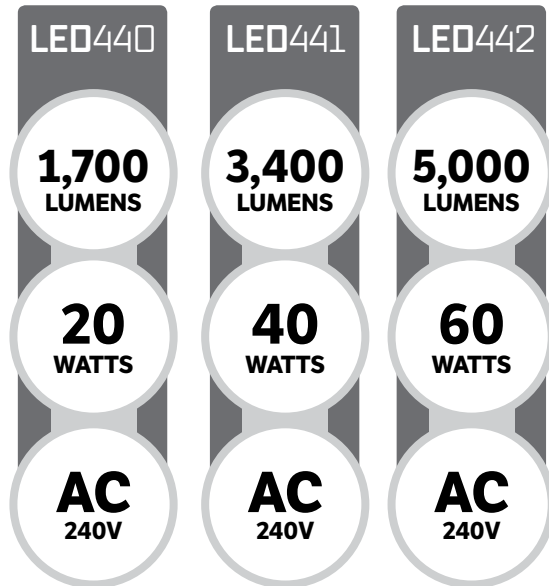


SPECIFICATIONS

DIMENSIONS	LED440: L613 x W82 x H67mm LED441: L1223 x W82 x H67mm LED442: L1523 x W82 x H67mm
COLOUR TEMP	4000K Natural White
CRI	< 80
DIODE / LIFESPAN	Edison LED / < 30,000 Hours
BEAM ANGLE	120°
MATERIAL	Aluminum / ABS Plastic
DRIVER	Incorporated (Non Dimmable)

AVAILABLE IN

DESCRIPTION	CODE
2ft 4000K	LED440 N
2ft 4000K Sensor Version	LED440 SEN
4ft 4000K	LED441 N
4ft 4000K Sensor Version	LED441 SEN
5ft 4000K	LED442 N
5ft 4000K Sensor Version	LED442 SEN





SPECIFICATIONS

DIMENSIONS	LED450: L653 x W128 x H80mm LED451: L1263 x W128 x H80mm LED452: L1563 x W128 x H80mm
COLOUR TEMP	4000K Natural White
CRI	< 80
IP RATING	IP65
DIODE / LIFESPAN	Edison LED / < 30,000 Hours
BEAM ANGLE	120°
MATERIAL	Aluminum / ABS Plastic
DRIVER	Incorporated (Non Dimmable)

AVAILABLE IN

DESCRIPTION	CODE
2ft 4000K	LED450 IPN
4ft 4000K	LED451 IPN
5ft 4000K	LED452 IPN

LED450	LED451	LED452
1,400 LUMENS	2,800 LUMENS	4,950 LUMENS
20 WATTS	40 WATTS	60 WATTS
AC 240V	AC 240V	AC 240V



SPECIFICATIONS

DIMENSIONS	S330: W75 x D162mm (Spot Dia: 60x60mm) S331: W76 x D159mm (Spot Dia: 60x60mm)
COLOUR TEMP	3000K Warm White
CRI	< 80
DIODE / LIFESPAN	Sharp COB LED / < 40,000 Hours
BEAM ANGLE	50°
TILT / ROTATE	180° Tilt, 355° Rotate
MATERIAL	Aluminium
DRIVER	Incorporated

1100
LUMENS

13
WATTS

AC
240V

AVAILABLE IN

DESCRIPTION	CODE
Black 3000K	S330 1TBWL
Silver 3000K	S330 1TSWL
White 3000K	S330 1TWWL
Dimmable Black 3000K	S331 1TBWDL
Dimmable Silver 3000K	S331 1TSWDL
Dimmable White 3000K	S331 1TWWDL



NOTE: DIMMABLE VERSION (S331) DRIVER IN BASE



SPECIFICATIONS

DIMENSIONS	<i>W79 x D159mm (Spot Dia: 60x60mm)</i>
COLOUR TEMP	<i>3000K Warm White or 4000K Natural White</i>
CRI	<i>< 80</i>
DIODE / LIFESPAN	<i>Sharp COB LED / < 40,000 Hours</i>
BEAM ANGLE	<i>50°</i>
TILT / ROTATE	<i>180° Tilt, 355° Rotate</i>
MATERIAL	<i>Aluminium</i>
DRIVER	<i>Incorporated (Dimmable)</i>

1110
LUMENS

13
WATTS

AC
240V

AVAILABLE IN

DESCRIPTION	CODE
Dimmable Black 4000K	S335 1TBNDL
Dimmable Silver 4000K	S335 1TSNDL
Dimmable Silver 3000K	S335 1TSWDL
Dimmable Black 3000K	S335 1TBWDL
Dimmable White 4000K	S335 1TWNDL
Dimmable White 3000K	S335 1TWWDL



SPECIFICATIONS

DIMENSIONS	L286.5 x W169 x H135mm
COLOUR TEMP	4000K Natural White
CRI	< 80
DIODE / LIFESPAN	Sharp COB LED / < 40,000 Hours
BEAM ANGLE	90° (Anti Glare design)
TILT / ROTATE	180° Tilt, 355° Rotate
MATERIAL	Aluminium
DRIVER	Incorporated

3,600
LUMENS

32
WATTS

AC
240V

AVAILABLE IN

DESCRIPTION	CODE
White 4000K	S253 1TW32NL
Silver 4000K	S253 1TS32NL